

HWO60S4LMB3

Oven, 60cm

4 Function

Haier



HWO60S4LMB3

Height

595mm

Width

595mm

Depth

571mm

Weight (Packaged)

34kg

Weight (Product)

32kg

FEATURES

- 4 functions including Fan Forced, Grill and Defrost
- 65L gross, 59L useable capacity
- Even convection heating on every shelf
- The sleek black dials offer simple control, with a mechanical minute timer for convenience

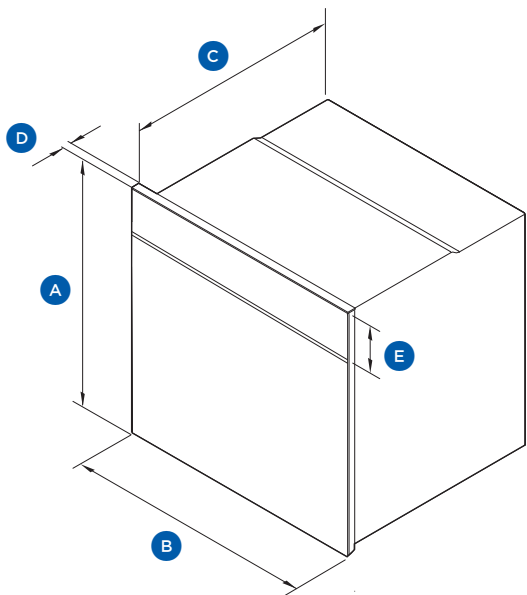
ACCESSORIES

- 2x wire racks
- Baking tray

The models shown in this Specification Guide (SG) may not be available in all markets and are subject to change at any time. Product specifications may vary from those shown. This SG should not be used as installation guidance for any product. Further information is required to safely and correctly install the products featured here. Specific installation guidance will be available with the product on delivery and on our website haier.com

Product Overview

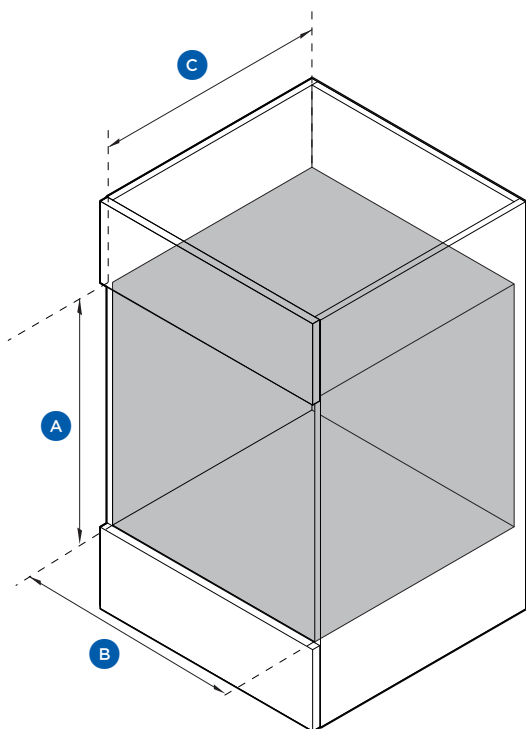
PRODUCT DIMENSIONS



	mm
A Overall height	595
B Overall width	595
C Chassis depth	549
D Depth of control panel	22
E Control panel height	110

The illustration is indicative only

CAVITY DIMENSIONS



	mm
A Minimum height of cavity	600
B Minimum width of cavity	560
C Minimum depth of cavity	570

SERVICES

- Supply 220-240 V, 50 Hz
- Service 11 A
- Connection Hard wired