

The Haier logo is displayed in white text on a dark grey rectangular background in the top right corner of the page.

Haier

Wall Rangehood, Box Chimney

Black

HC60BMB2 and HC90BMB2 Models

CONTENTS

Safety and Warnings	5
Components Required	7
Product Dimensions	8
Clearances	9
Venting Requirements	10
Electrical Requirements	11
Preparing for Installation	12
Installation Chimney Mounting Brackets and Screws	13
Bracket Attachment Points	14
Screw Attachment Points	15
Installation Recirculation	16
Carbon Filter	18
Assembling V-Flap	19
Installation Rangehood	20
Installer Checklist	23

⚠ WARNING!



9 kg
(HC60)

11 kg
(HC90)

Weight Hazard

The appliance is heavy. Please ensure adequate care is taken when installing the appliance to prevent personal injury. The rangehood must be installed onto a solid wall, stud, beam or truss.

Weight of the products are:

- HC60BMB2 is 9kg
- HC90BMB2 is 11kg

⚠ WARNING!



Electric Shock Hazard

Always disconnect the appliance from the mains power supply before carrying out any maintenance or repairs.

Installation work and electrical wiring must be done by qualified person(s) in accordance with all applicable codes and standards, including fire-rated construction. Failure to do so can result in death, electric shock, fire or injury to persons.

IMPORTANT SAFETY INFORMATION

READ THE ENTIRE SET OF INSTRUCTIONS BEFORE INSTALLING OR USING THIS APPLIANCE.

WARNING! When using this appliance always exercise basic safety precautions including the following:

- Please read the entire set of instructions before installing or using this appliance.
- Please make this information available to the person installing the appliance - doing so could reduce your installation costs.
- Always switch the power off prior to installation, servicing or cleaning of the rangehood.
- This appliance must be installed and connected to the mains power supply only by a suitably qualified person according to these installation instructions and in compliance with any applicable local building and electricity regulations. Failure to install the appliance correctly could invalidate any warranty or liability claims.
- To comply with electrical safety regulations, the rangehood must be plugged into a socket near the appliance. The socket must be accessible, or have an accessible isolating switch, to enable the end user to isolate the rangehood from the power for the purpose of internal cleaning or maintenance.
- A power outlet should be within the range that does not affect installation and use of the motor assembly and can either be on the wall, behind the chimney or in the ceiling.

SAFETY AND WARNINGS

- If the supply cord of this equipment is damaged, it must only be replaced by the manufacturer, its service agent or similarly qualified person in order to avoid a hazard.
- Ducting accessories are not supplied. All ducting must comply with local requirements and building codes.
- Attention should be given to ensure that any applicable regulations concerning the discharge of exhaust air are fulfilled.
- Before connecting any pipes, consult municipal ordinances to ensure that any applicable regulations concerning the discharge of exhaust air are adhered to and request permission from the person in charge of the building.
- Exhaust air must not be discharged into an existing flue that is used for exhausting fumes from appliances burning gas or other fuels. Range hoods and other cooking fume extractors may adversely affect the safe operation of appliances burning gas or other fuels (including those in other rooms) due to back flow of combustion gases. These gases can potentially result in carbon monoxide poisoning. After installation of a range hood or other cooking fume extractor, the operation of flued gas appliances should be tested by a competent person to ensure that back flow of combustion gases does not occur.
- The minimum distance between the supporting surface for cooking vessels on the cooktop and the lowest part of the rangehood shall be 600 mm.
- Painted surfaces are very easily damaged during installation if abraded or knocked by tools. It is recommended to protect the top of the rangehood with cardboard or polystyrene during the installation to minimise the risk of damage occurring.
- To reduce the risk of damage occurring to the cooktop, it is recommended that the surface of the cooktop is protected with cardboard or a similar object during installation of the rangehood.
- This appliance is not intended for use by persons (including children) with reduced physical, sensory or mental capabilities, or lack of experience and knowledge, unless they have been given supervision or instruction concerning the use of the appliance by a person responsible for their safety.
- Children should be supervised to ensure they do not play with the appliance. Cleaning and user maintenance shall not be made by children without supervision.
- You must read the details concerning the method and frequency of cleaning.
- There is a fire risk if cleaning is not carried out in accordance with the instructions.
- Never leave frying food unattended since grease can overheat and catch fire. The risk of fire is even greater in the case of used oil.
- Do not flambé under the rangehood.
- Never use the rangehood without the filters in place.
- During an electrostatic discharge (ESD) it is possible that the device will stop working. By switching the device off and on the device will again work as intended.
- CAUTION: accessible parts may become hot when used with cooking appliances.
- Remove all packaging and protective wrappings, including on the grease filters, before use.

IMPORTANT!

SAVE THESE INSTRUCTIONS

The models shown in this user guide may not be available in all markets and are subject to change at any time.

COMPONENTS REQUIRED

TOOLS

Not supplied

- Phillips screwdriver
- Box cutter

PARTS

Supplied and required

- 1x Rangehood
- 1x Outside chimney
- 1x Inside chimney
- 1x Outside chimney bracket
- 1x Inside chimney bracket
- 1x Hood mounting bracket
- 9x Wall plug (9)
- 7x Countersunk screw (ST4*40mm)
- 2x Pan head screw (ST4*30mm)
- 4x Screw (ST4 x 8mm)
- 1x Pair v-flap (150mm diameter)
- 2x Black aluminium filters (HC60BMB2)
- 3x Black aluminium filters (HC90BMB2)

Not supplied

- Ducting - 150mm diameter, rigid or semi-rigid
- Aluminium duct tape or cable ties for ducting

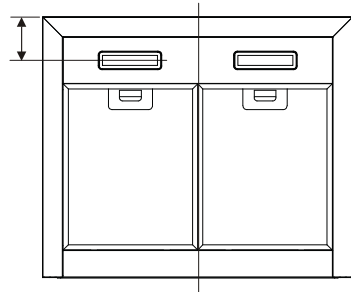
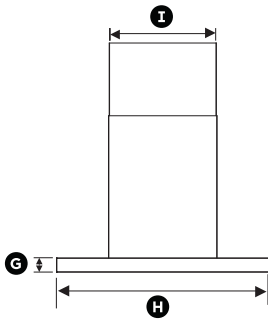
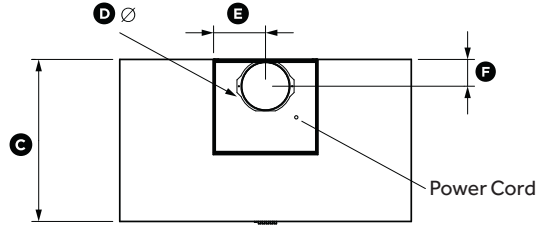
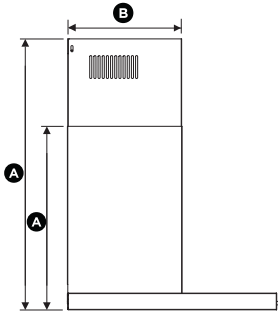
Optional accessories

- Chimney extension 900mm
H0530073719 (HC60BMB2)
H0530073719 (HC90BMB2)

Optional Recirculation Accessories (when ducting externally not possible)

- 2x Recirculation carbon filters
H0530060509 (not supplied)
- T-shape recirculation outlet kit
H0530062211, includes:
 - 1x T-shaped plastic outlet
 - 1x Installation bracket
 - 6x Screw ST3*12mm
 - 2x Screw ST4*8mm

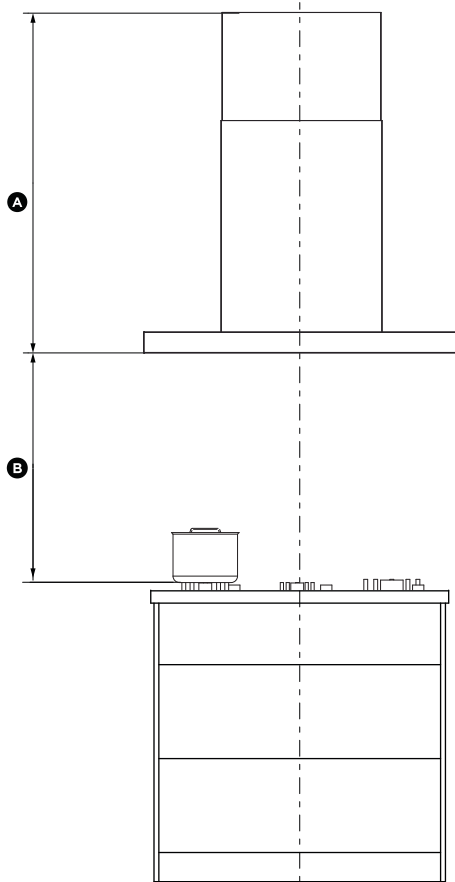
PRODUCT DIMENSIONS



	HC60BMB2	HC90BMB2
	mm	mm
A Overall height of product	min. 550-max. 1030	min. 550-max. 1030
Overall height of product - recirculating	min. 650-max. 1030	min. 650-max. 1030
B Depth of chimney	275	275
C Overall depth of product	508	508
D Diameter of ducting outlet	150	150
E Distance from center of ducting outlet to side of chimney	150	150
F Distance from centre of ducting outlet to back of product	87	87
G Height of product	50	50
H Overall width of product	598	895
I Width of chimney	303	303
J Distance between center of lights to front of product	90	90
Length of power cord	1800	1800

Actual product dimensions may vary by ± 2 mm.

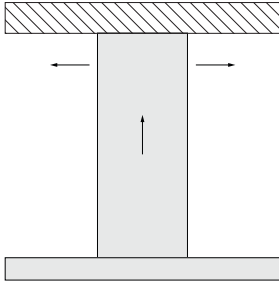
CLEARANCES



MINIMUM CLEARANCE		HC60BMB2 and HC90BMB2
		mm
A	Installation height	
	Ducted	min.550 - max.1030
	Recirculation	min.650 - max.1030
B	Height from top of cooktop to base of rangehood	min.600 - max. recommended 750

This rangehood must be installed no lower than the minimum height indicated in the table above. Minimum installation height may be greater if required by the cooktop manufacturer or safety and warnings section on this user guide. Installation at the minimum height will improve efficiency of capturing cooking odours, grease and smoke. Installation at the maximum height improves ergonomics by offering increased head room.

VENTING REQUIREMENTS



Recirculate With Carbon Filters

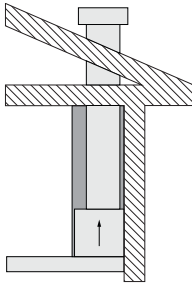
Recirculate with carbon filters

To enable the product to operate with the air recirculating, please purchase a recirculation diverter and carbon filters.

The recirculation diverter is required to channel the air out the side vents at the top of the chimney and the carbon filters are required to remove odours.

Refer to the 'Components Required' section for more details.

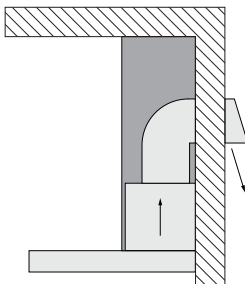
Note: A ducting hole is not required in the wall or ceiling



Vent Through Roof

Vent through roof and vent through exterior wall

For an externally ducted installation it is recommended that 150mm diameter, rigid or semi-rigid ducting is used. Create a hole in the ceiling that's at least 160mm in diameter, ensuring precise positioning for proper installation.



Vent Through Exterior Wall

For optimal efficiency use the shortest and straightest duct route possible to reduce noise and increase airflow.

ELECTRICAL REQUIREMENTS

Before connecting the rangehood to the power supply, ensure the voltage and frequency indicated on the rating plate match that of the installation location:

MODEL	FREQUENCY	VOLTAGE	TOTAL POWER
HC60BMB2	50 Hz	220-240 V	223 W
HC90BMB2	50 Hz	220-240 V	223 W

PREPARING FOR INSTALLATION

WARNING!

- This product is heavy and requires two persons for installation.
- Installation work and electrical wiring must be done by qualified person(s) in accordance with all applicable codes and standards.
- Failure to install the screws or fixing device in accordance with these instructions may result in electrical hazards.

IMPORTANT!

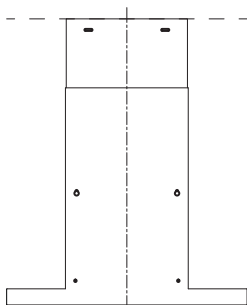
Wear gloves to protect against sharp edges.

Manufacturer is not liable for any damage caused by not following these instructions.

Before installing your rangehood:

- Please read the instructions carefully.
- Unpack the rangehood.
- Ensure that the voltage (V) and frequency (Hz) indicated on the serial plate match the voltage and frequency at the installation site.
- Check that all functions are working.
- Check that the area behind the installation surface to be drilled is clear of any electrical cables or pipes, etc.
- The rangehood surfaces can be damaged during installation.
- Protect the cooktop surface with cardboard, or the like, to prevent damage occurring whilst the rangehood is being installed above.
- Temporarily mark the height of the bottom of the rangehood and the centre of the cooktop on the wall according to the information given in the 'clearances' section.
- The wall used for mounting the rangehood should have sufficient strength and a flat surface.

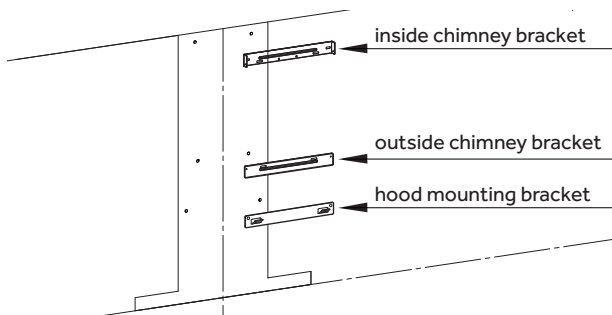
INSTALLATION CHIMNEY MOUNTING BRACKETS AND SCREWS



Same attachment location for brackets and screws

There are two installation methods available to attach rangehood to the wall.

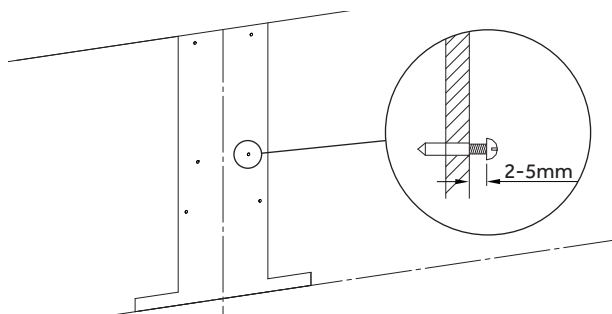
1. Use the supplied brackets and screws. Refer to 'Bracket Attachment Points' for details.
2. Use the supplied screws. Refer to 'Screw Attachment Points' for details.



Brackets

Centre and secure the brackets using ST4*30mm and ST4*40mm screws, 2 per bracket.

Recirculation installation:
Align recirculation adapter to the inside chimney bracket. Refer to 'Installation Recirculation' for details.



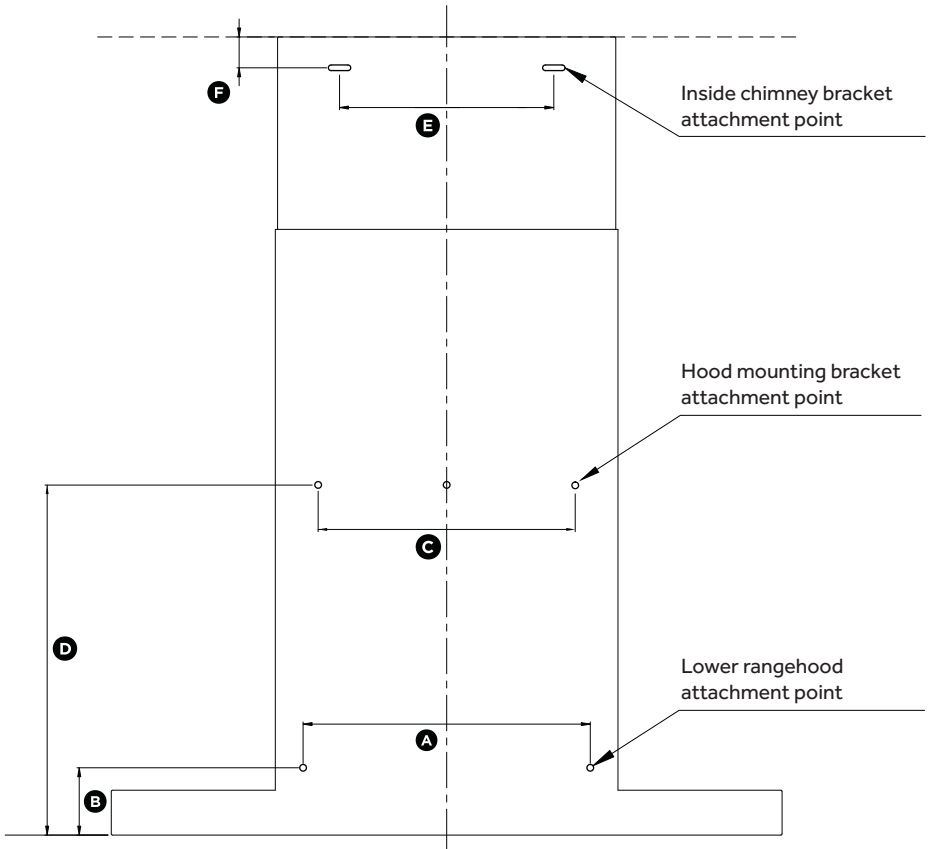
Screws

When using ST4*40mm screws, ensure that there is 2-5mm gap between the screw head and the wall.

The gap is to slot the rangehood onto the screws for hanging.

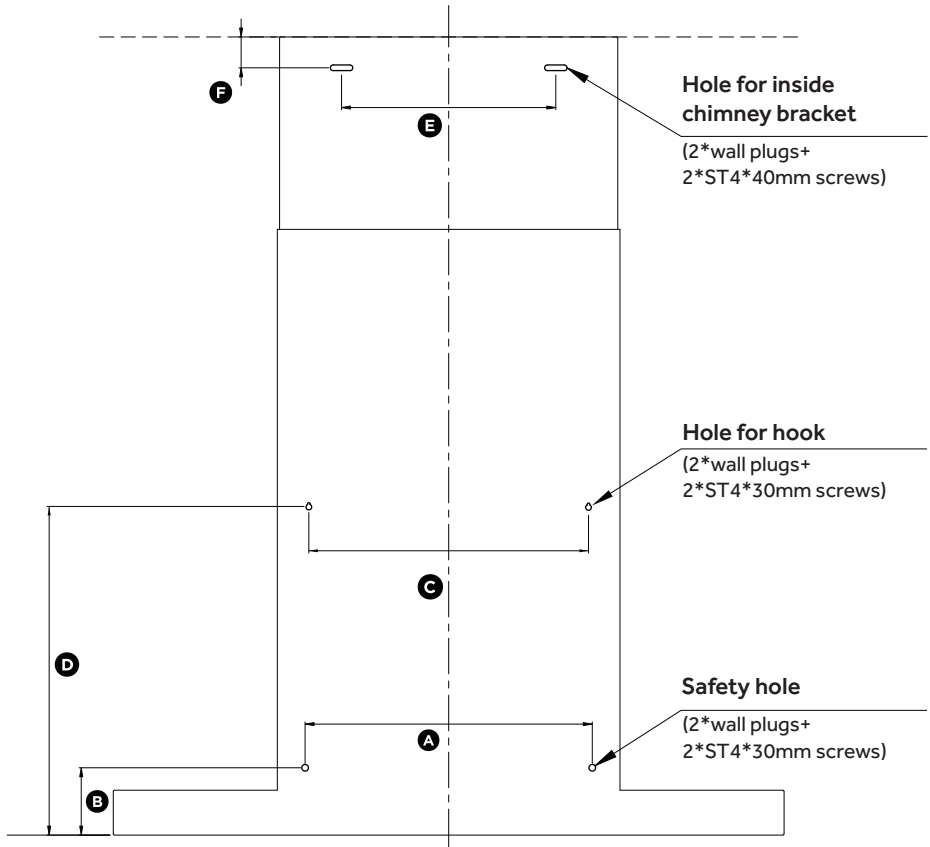
Use the wall plugs if required

BRACKET ATTACHMENT POINTS



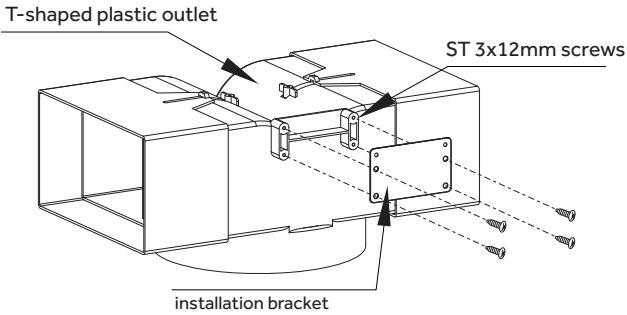
		HC60BMB2 and HC90BMB2
		mm
A	Inside chimney bracket attachment point width	256
B	Inside chimney bracket attachment point height	72
C	Hood mounting bracket attachment point width	230
D	Hood mounting bracket attachment point height	313
E	Outside chimney bracket attachment point width	191
F	Outside chimney bracket attachment point height	27.5

SCREW ATTACHMENT POINTS

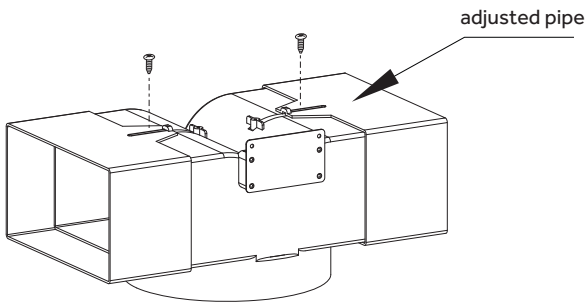


		HC60BMB2 and HC90BMB2
		mm
A	Safety hole attachment point width	256
B	Safety hole attachment point height	72
C	Hook hole attachment point width	250
D	Hook hole attachment point height	293.5
E	Inside chimney hole attachment point width	191
F	Inside chimney hole attachment point height	27.5

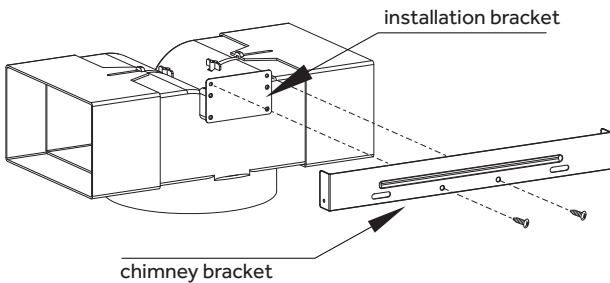
INSTALLATION RECIRCULATION



1. Attach the installation bracket to the T-shaped plastic outlet using 4 pcs ST3*12mm screws.

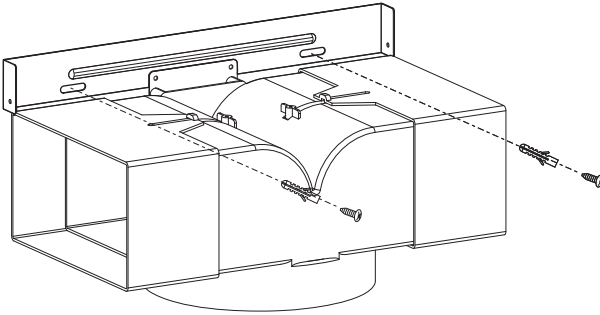


2. Adjust the width of the outlet to the width of the inside chimney and secure it using 2pcs ST3*11mm screws.

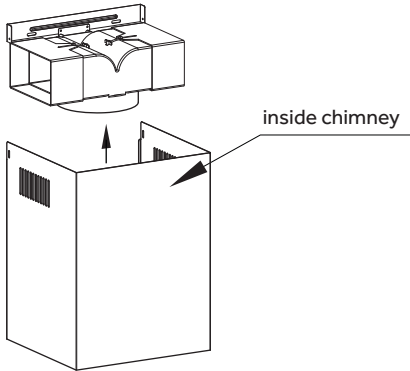


3. Fix the chimney bracket to the installation bracket using 2pcs ST3*8mm screws.

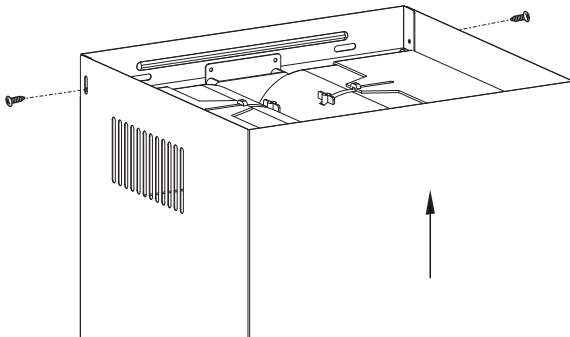
INSTALLATION RECIRCULATION



4. Fix the inside chimney bracket to the wall with 2pcs ST4*30mm screws. Use wall plugs if required. Refer to 'Installation Chimney Mounting Brackets and Screws' for details on attaching chimney bracket to the wall.



5. Secure the ducting to the inlet of the outlet.

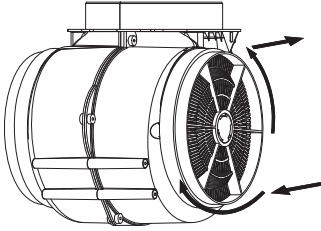


6. Adjust the height of the inside chimney and secure it to the inside chimney bracket with 2pcs ST4*8mm screws.

CARBON FILTER

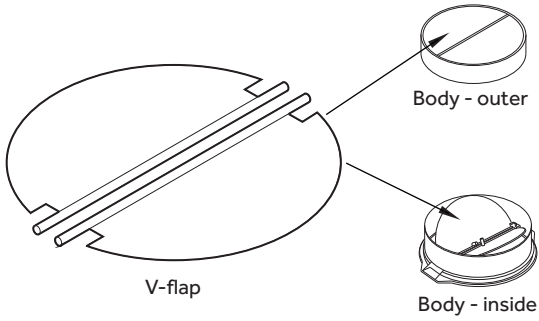
Carbon filters are for use in recirculating mode. They are disposable and must be replaced at least every three months to ensure the performance of the rangehood. In the event of a fire, grease-laden filters could be flammable.

Before installing or replacing the carbon filters, disconnect the mains power to the unit.

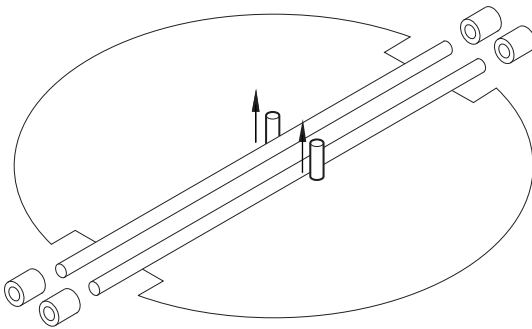


1. Press the filter lock and remove the mesh filter.
2. Turn the carbon filter on both sides of the motor anti-clockwise. Replace the existing carbon filters with the new carbon filters.
3. Replace the mesh filter.
4. Connect the power supply to the wall socket.

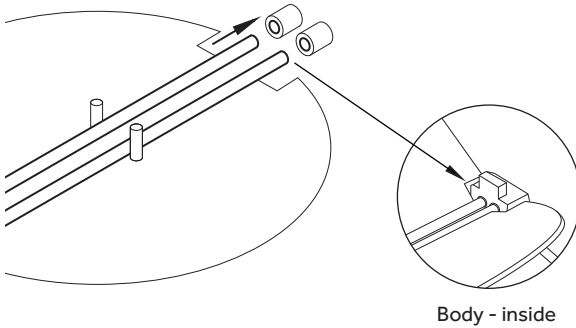
ASSEMBLING V-FLAP



1. Mount the two V-flap half-parts into the body.

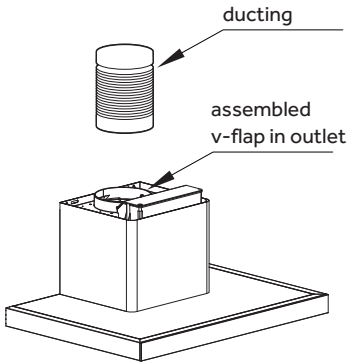


2. The pins should be facing upwards.

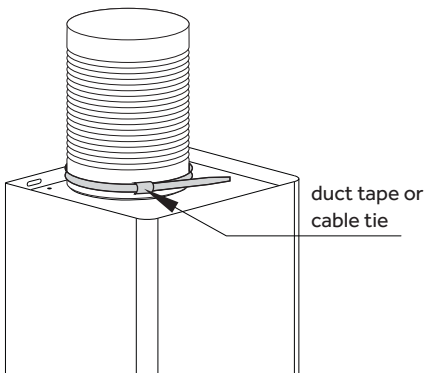


3. Insert the axis into the holes on the body.

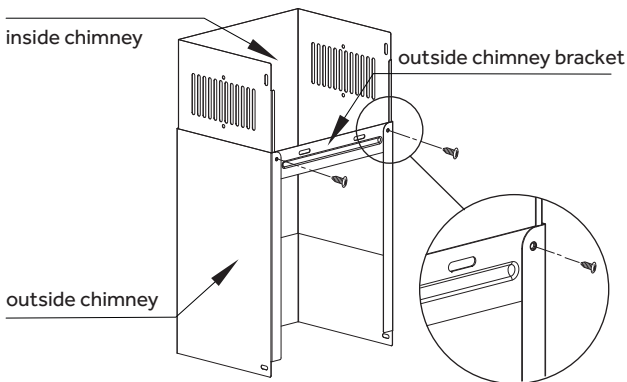
INSTALLATION RANGEHOOD



1. Place 150mm ducting around the rangehood outlet.

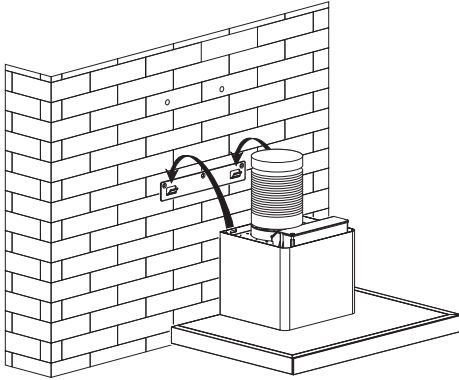


2. Fix ducting to rangehood outlet with duct tape or cable tie.

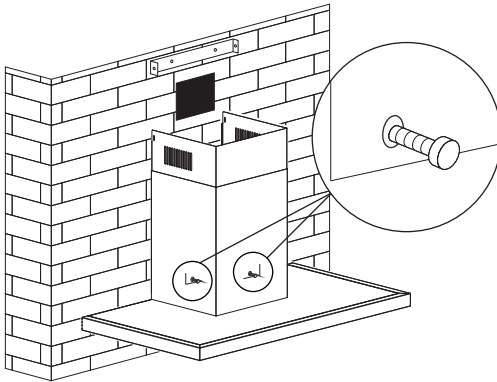


3. Fix the outside chimney bracket to the chimney with supplied ST4*8mm screws.
Ensure the chimney can slide up and down freely.

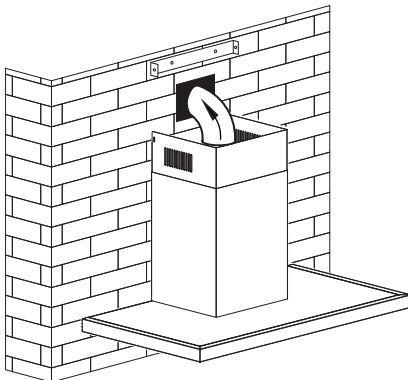
INSTALLATION RANGEHOOD



4. Hang the rangehood on the upper bracket or screws (tighten the two screws if needed).



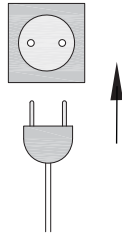
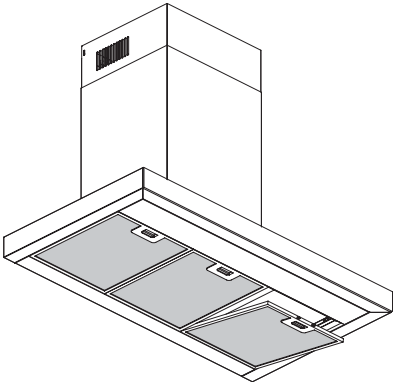
5. Fix the rangehood chimney with the safety screws, 2pcs ST4*30mm. They are accessible from underneath when the grease filters are removed.



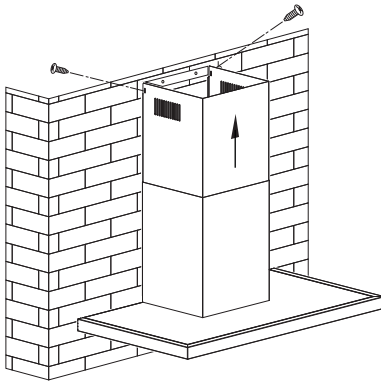
6. Extend the ducting through the hole to the vent.

Plug the rangehood in and turn the power on.

INSTALLATION RANGEHOOD



7. Plug in the rangehood and turn on. Remove blue protective film from filters.



8. Adjust the height of the inside chimney to the position of the inside chimney bracket and fix it with screws 2pcs ST4*8mm.

INSTALLER CHECKLIST

TO BE COMPLETED BY THE INSTALLER

- Have all packaging been removed?
- Rangehood is correctly installed
- All connections are secure
- The ducting is not bent or crushed in any areas
- Check rangehood suction
- External vent is sealed appropriately
- All local regulations have been met
- Operation has been tested (refer to rangehood user guide)
- Check for unusual noises

Complete and keep for safe reference:

Model _____

Serial no. _____

Purchase date _____

Purchaser _____

Dealer address _____

Installer's name _____

Installer's signature _____

Installation company _____

Installation date _____

Haier

WWW.HAIER.COM.AU
WWW.HAIER.CO.NZ