

# Haier

HMW20FSLB1

## Freestanding Microwave

Height

264mm

Width

454mm

Depth

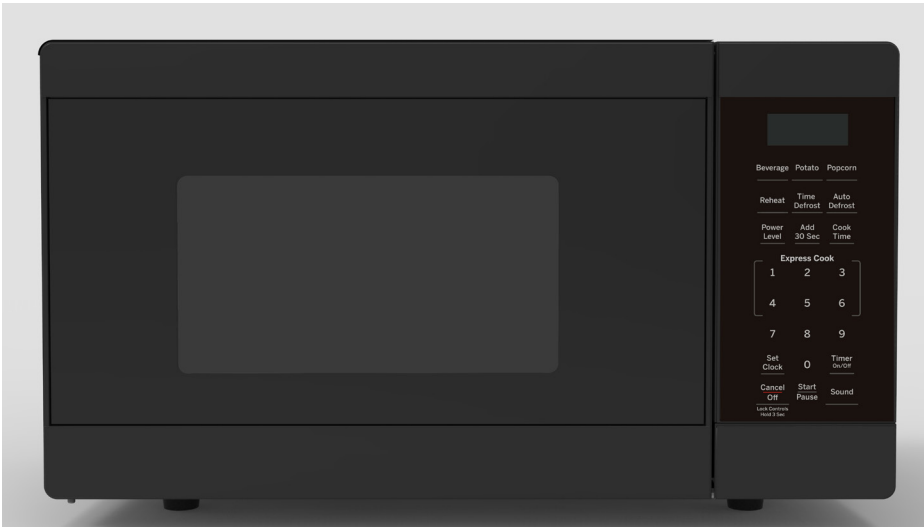
325mm

Weight (Packaged)

12kg

Weight (Product)

11kg



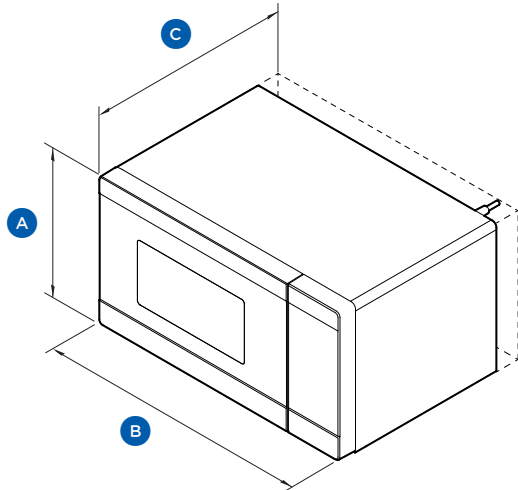
### FEATURES

- Sleek black aesthetic, to match the wider Haier family of appliances
- 1200W power
- Ideal for everyday use with a 20L capacity
- Easy to use touch controls
- Push button door opening
- Removable turntable for easy cleaning
- Six functions including Auto Defrost, Reheat and Popcorn and adjustable power levels

The models shown in this Specification Guide (SG) may not be available in all markets and are subject to change at any time. Product specifications may vary from those shown. This SG should not be used as installation guidance for any product. Further information is required to safely and correctly install the products featured here. Specific installation guidance will be available with the product on delivery and on our website [haier.com](https://www.haier.com)

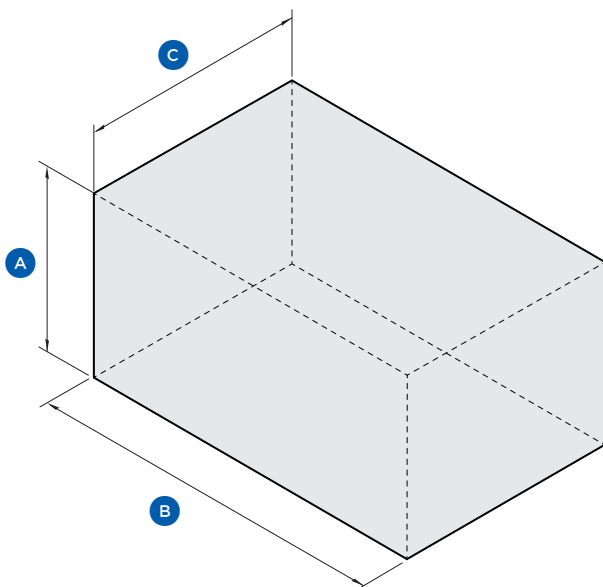
# Product overview

## PRODUCT DIMENSIONS



	mm
<b>A</b> Overall height	264
<b>B</b> Overall width	454
<b>C</b> Overall depth (including plug)	325

## CAVITY DIMENSIONS



	mm
<b>A</b> Height	334
<b>B</b> Width	594
<b>C</b> Depth	353

## SERVICES

- Supply 220-240 V, 50 Hz
- Service 10 A
- Connection Flex cord with plug

The models shown in this Specification Guide (SG) may not be available in all markets and are subject to change at any time. Product specifications may vary from those shown. This SG should not be used as installation guidance for any product. Further information is required to safely and correctly install the products featured here. Specific installation guidance will be available with the product on delivery and on our website [haier.com](http://haier.com)