

The Haier logo is displayed in white text on a dark grey rectangular background in the top right corner of the page.

Haier

60cm Ovens

HWO60S7EB5, HWO60S7ELG5, HWO60S7EX5,
HWO60S7EG5, HWO60S7MB5, HWO60S7MB6,
HWO60S4LMB3, HWO60S7MX5, HWO60S7MX6

CONTENTS

Safety and warnings	5
Components required	7
Product and cavity dimensions	8
Check cavity	10
Fit the product	12
Installer checklist	13

⚠ WARNING!



Electric Shock Hazard

Turn the oven off at the wall before replacing the oven lamp or before carrying out any work or maintenance on it.

Failure to follow this advice may result in electrical shock or death.

⚠ WARNING!



Fire Hazard

Failure to follow this advice may result in serious burns or death.

Do not place aluminium foil, dishes, trays, water or ice on the oven floor during cooking, as doing so will irreversibly damage the enamel; lining the oven with aluminium foil or single use protection available from stores may cause fire.

Never use your appliance for warming or heating the room. Persons could be burned or injured or a fire could start.

Storage in or on appliance: flammable materials should not be stored in an oven or near its surface.

Failure to follow this advice may result in overheating, burning, and injury.

⚠ WARNING!



Cut Hazard

Take care during installation of the oven - some edges are sharp.

Failure to use caution could result in injury or cuts.

⚠ WARNING!

Hot Surface Hazard

Accessible parts may become hot when in use. To avoid burns and scalds, be careful not to touch any hot part and keep children away.

Use oven mitts or other protection when handling hot surfaces such as oven shelves or dishes.

Use care when opening the oven door. Let hot air or steam escape before removing or replacing food.

Do not touch heating elements or interior surfaces of the oven. Heating elements may be hot even though they are dark in colour.

Interior surfaces of an oven become hot enough to cause burns.

During and after use, do not touch, or let clothing or other flammable materials contact heating elements or interior surfaces of the oven until they have had sufficient time to cool. Other surfaces of the appliance may become hot enough to cause burns - among these surfaces are the oven vent, the surface near the oven vent, and the oven door.

Failure to follow this advice could result in burns and scalds.



COMPONENTS REQUIRED

TOOLS

Supplied

Screws (2)

Not supplied

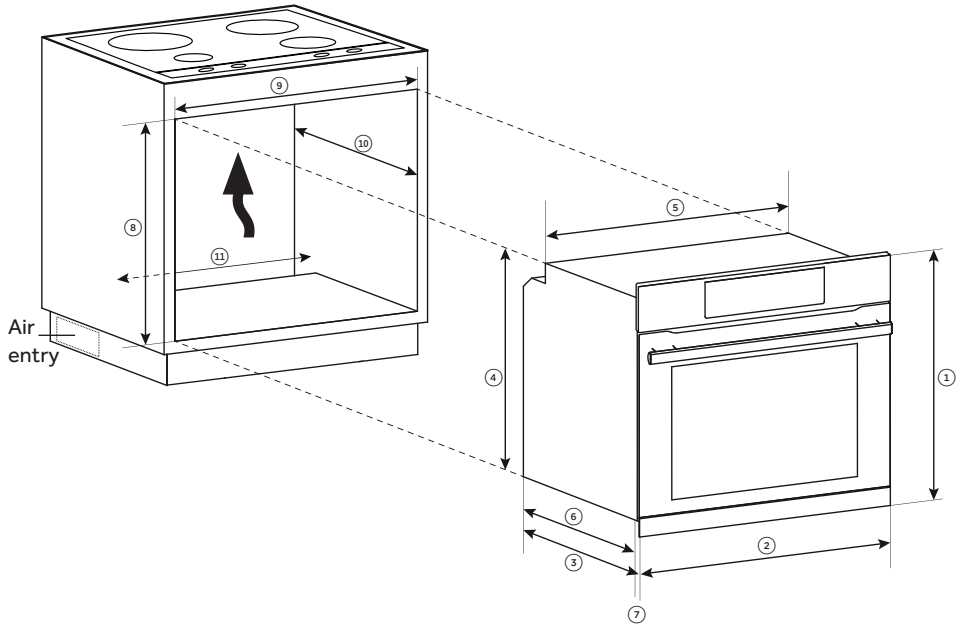
Powered driver

Cross-head screwdriver

PRODUCT AND CAVITY DIMENSIONS

Mounting under cooktop

The cabinetry should follow the dimensions shown. This allows for sufficient airflow behind the oven and between the oven and cooktop for cooling. If the cabinetry base is fully sealed, an opening should be provided to allow cool air to enter.

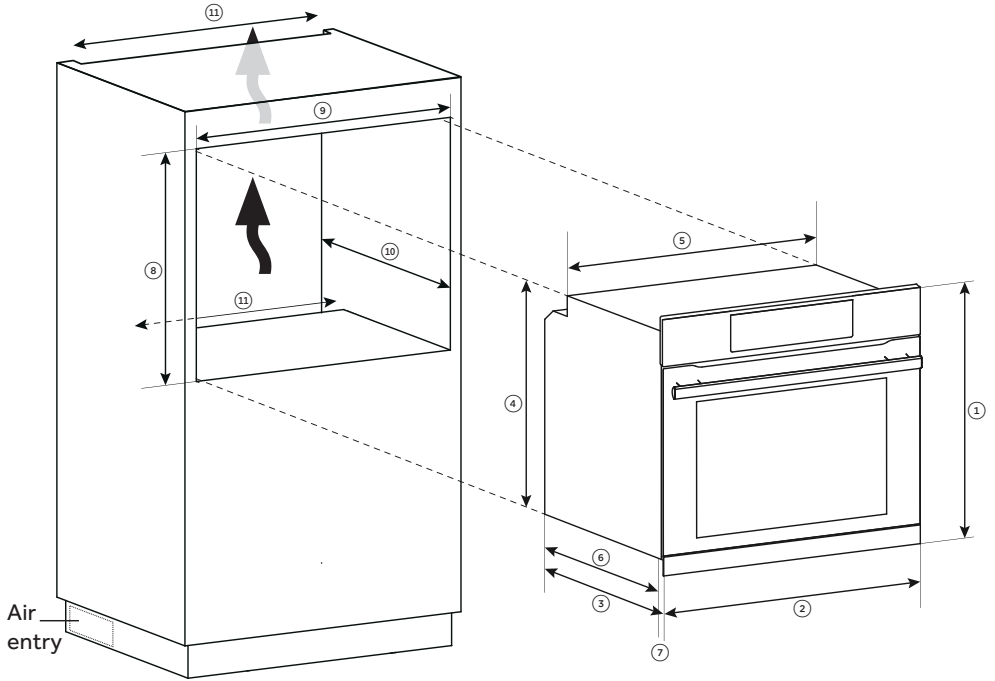


Product Dimensions		mm	Minimum Clearances		mm
1	Overall height of oven	595	8	Minimum inside height of cavity (includes a 5mm air exit gap)	600
2	Overall width of oven	595	9	Minimum inside width of cavity	560
3	Overall depth of oven	571	10	Minimum inside depth of cavity	570
4	Height of chassis	578	11	Air exit vent	460 x 45
5	Width of chassis	550			
6	Depth of chassis	549			
7	Depth of door / control panel	22			

PRODUCT AND CAVITY DIMENSIONS

Standalone Installation

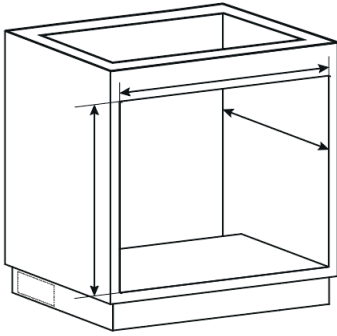
If the oven is mounted without a cooktop above, the cabinet depth and height can be reduced. An opening should be provided at the top of the cabinetry to allow hot air to exit. If the bottom of the cabinetry is sealed, an opening should be provided to allow cool air to enter.



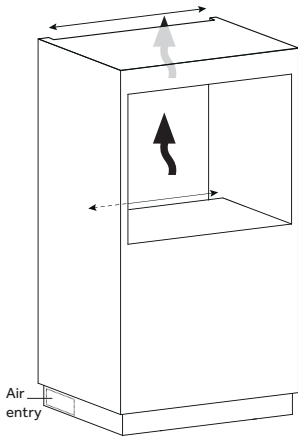
Product Dimensions		mm
1	Overall height of oven	595
2	Overall width of oven	595
3	Overall depth of oven	571
4	Height of chassis	578
5	Width of chassis	550
6	Depth of chassis	549
7	Depth of door / control panel	22

Minimum Clearances		mm
8	Minimum inside height of cavity	595
9	Minimum inside width of cavity	560
10	Minimum inside depth of cavity	570
11	Air exit vent	460 x 45

CHECK CAVITY



1. Measure cavity dimensions.
Ensure all minimum specifications
have been met. Refer to page 8 and
9.

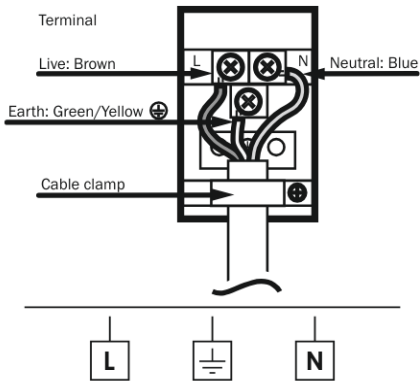


2. Ensure any cooktop ventilation
requirements have been considered.

CONNECT POWER

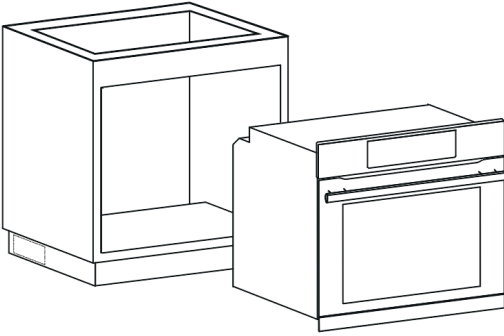
- This oven must be connected to the mains power supply only by a suitably qualified person.
- The mains lead must not be clamped, bent, trapped, or come into contact with hot parts of the appliance.
- This oven must be earthed.
- Before connecting the oven to the mains power supply, check that:
 - The domestic wiring system is suitable for the power drawn by the oven (as specified on the rating plate)
 - The voltage corresponds to the value given on the rating plate.

MODEL CODE	MAX POWER (W)	FREQUENCY (HZ)	VOLTAGE (V)	AMPS (A)
HW60	2400	50	220 - 240	10 - 10.9

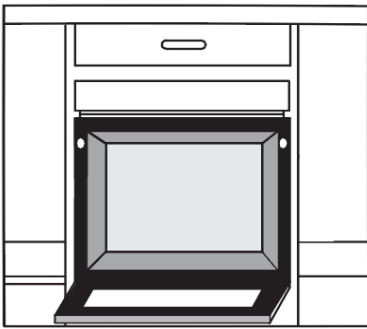


Connect to the terminal block as shown. Ensure oven is correctly Earthed and cable clamp is tightened.

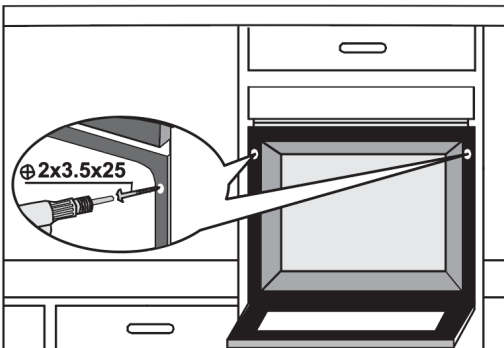
FIT THE PRODUCT



1. Lift the product into the cavity, align the oven with surrounding cabinetry and appliances.



2. Using the product as a guide, pre-drill 2 x 3mm pilot holes.



3. Secure the oven to the cavity using the 2 x #3.5x25 screws provided.

INSTALLER CHECKLIST

To be completed by the installer

- Ensure the oven is level and securely fitted to the cabinetry.
- Open the oven door slowly until it is fully open and check there is adequate clearance between the bottom of the door and the lower trim. This is to ensure correct air circulation. Should the lower trim become damaged, straighten the trim and ensure the oven door opens fully without obstruction.
- Ensure you remove all internal packaging before using your oven.
- Ensure all oven vents and openings are clear and free of any obstruction or damage. Failure to make sure all oven vents and openings are clear may result in poor product performance.
- Ensure the isolating switch is accessible by the customer.

Complete and keep for safe reference:

Model _____

Serial no. _____

Purchase date _____

Purchaser _____

Dealer address _____

Installer's name _____

Installer's signature _____

Installation company _____

Installation date _____

Haier

WWW.HAIER.COM.AU
WWW.HAIER.CO.NZ

70067494 | 432409A | 12.24