

The Haier logo is displayed in white text on a dark grey rectangular background in the top right corner of the page.

Haier

60cm Ovens

HWO60 models

CONTENTS

Safety and warnings	4
Components required	9
Product and cavity dimensions	10
Check cavity	12
Connect power	13
Fit the product	14
Installer checklist	15

SAFETY AND WARNINGS

⚠ WARNING!



Electric Shock Hazard

Failure to follow this advice may result in electric shock or death.

- Do not cook on a broken or cracked cooktop. If the cooktop surface should break or crack, switch the appliance off immediately at the mains power supply (wall switch) and contact a qualified technician.
- Switch the appliance off before cleaning or maintenance.

⚠ WARNING!



Fire Hazard

Failure to follow this advice may result in serious burns or death.

- Unattended cooking on a hob with fat or oil can be dangerous and may result in fire.
- Cover flame, eg with a lid or fire blanket, or use dry chemical or foam-type extinguisher.
- Do not store items on cooking surfaces.

⚠ WARNING!



Cut Hazard

Failure to follow this advice could result in injury and cuts.

- The razor sharp blade of a cooktop scraper is exposed when the safety cover is retracted. Use with extreme care and always store safely and out of the reach of children.

⚠ WARNING!



Hot Surface Hazard

Failure to follow this advice could result in burns and scalds.

- Do not touch surface units or areas near units. Surface units maybe hot even though they are dark in colour.
- Surfaces of the appliance may become hot enough to cause burns.
- During and after use, do not touch or let clothing or other flammable materials contact heating elements until they have had sufficient time to cool.
- Handles of saucepans may be hot to touch. Check saucepan handles do not overhang other cooking zones that are on. Keep handles out of reach of children.
- Never leave metal objects (such as kitchen utensils) or empty pans on the cooktop as they can become very hot quickly.

SAFETY AND WARNINGS

READ AND SAVE THIS GUIDE

Only use the oven for its intended purpose, that is only for the cooking of foods: any other use, for example as a heat source, is considered improper and therefore dangerous. The manufacturer cannot be held responsible for any damage resulting from improper, incorrect or unreasonable usage.

General warnings

- Do not use a steam cleaner for cleaning operations.
- **CAUTION:** in order to avoid a hazard due to inadvertent resetting of the thermal cut-out, this appliance must not be supplied through an external switching device, such as a timer, or connected to a circuit that is regularly switched on and off by the utility.
- During use the appliance become hot. Care should be taken to avoid touching heating elements inside the oven.

Use limitations

- The appliance can be used by children aged from 8 years and above and persons with reduced physical, sensory or mental capabilities or lack of experience and knowledge if they have been given supervision or instruction concerning use of the appliance in a safe way and understand the hazards involved. Children shall not play with the appliance. Cleaning and maintenance shall not be made by children without supervision.
- This appliance is not intended to be used by persons (including children) with reduced physical, sensory or mental capabilities, or lack of experience and knowledge, unless they have been given supervision or instruction concerning use of the appliance by a person responsible for their safety.
- Children should be supervised to ensure that they do not play with the appliance.
- **WARNING:** the appliance and its accessible parts become hot during use. Care should be taken to avoid touching heating elements.
- Children less than 8 years of age shall be kept away unless continuously supervised.
- **WARNING:** Accessible parts may become hot during use. Young children should be kept away.

Installation warnings

- The oven can be located high in a column or under a worktop.
- Before fixing, you must ensure good ventilation in the oven space to allow proper circulation of the fresh air required for cooling and protecting the internal parts. Make the openings specified on the illustrations according to the type of fitting. Always fix the oven to the furniture with screws provided with the appliance.
- No additional operation/setting is required in order to operate the appliance at the rated frequencies.
- The appliance must not be installed behind a decorative door in order to avoid overheating.
- During installation the oven should be disconnected from the mains electricity supply.
- If the assistance of the manufacturer is required to rectify faults arising from incorrect installation, this assistance is not covered by the guarantee. The installation instructions for professionally qualified personnel must be followed.
- Incorrect installation may cause harm or injury to people, animals or belongings. The manufacturer cannot be held responsible for such harm or injury.
- Installation must be carried on by a qualified technician who must know and respect the laws in force in the country of installation and the manufacturer's instruction.
- After unboxing the appliance, always check it is not damaged, in case of issue contact the customer service before installing and do not connect to the power supply.
- Remove the packaging material before operating the appliance.
- During installation do not use the oven door's handle to lift and move the oven.

SAFETY AND WARNINGS

- The installation furniture and the adjacent ones must with stand temperatures of 95°C.
- Do not install the product in open environments exposed to atmospheric agents.
- This appliance is designed to be used at altitude lower than 2000m.
- It is recommended to wear protective gloves during installation to avoid cut injuries.

Electrical warnings

- The socket must be suitable for the load indicated on the tag and must have ground contact connected and in operation. The earth conductor is yellow-green in colour. This operation should be carried out by a suitably qualified professional.
- Connection to the power source can be made by plug or by fixed wiring placing an omnipolar breaker, with contact separation compliant to the requirements for overvoltage category III, between the appliance and the power source that can bear the maximum connected load and that is in line with current legislation.
- In case of incompatibility between the socket and the appliance plug, ask a qualified electrician to substitute the socket with another suitable type. The plug and the socket must be conformed to the current norms of the installation country.
- The yellow-green earth cable should not be interrupted by the breaker. The socket or omnipolar breaker used for the connection should be easily accessible when the appliance is installed.
- If the supply cord is damaged, it must be replaced by the manufacturer, its service agent or similarly qualified persons in order to avoid a hazard. For any repairs, refer only to the Customer Care Department and request the use of original spare parts.
- Disconnect the appliance from the mains electricity supply before carrying out any work or maintenance on it.
- **WARNING:** ensure that the appliance is switched off before replacing the bulb, to avoid the possibility of electric shocks.
- The oven must be switched off before removing the removable parts. After cleaning, reassemble them according the instructions.
- The use of any electrical appliance implies the observance of some fundamental rules:
 - do not pull on the power cable to disconnect the appliance from the power source;
 - do not touch the appliance with wet or damp hands or feet;
 - in general the use of adaptors, multiple sockets and extension cables is not recommended;
 - in case of malfunction and/or poor operation, switch off the appliance and do not tamper with it.
- **NOTE:** as the oven could require maintenance work, it is advisable to keep another wall socket available so that the oven can be connected to this if it is removed from the space in which it is installed.
- Any repair, installation and maintenance not carried out correctly can seriously endanger the user.
- The manufacturing company hereby states that it does not assume any responsibility for direct or indirect damages caused by incorrect installation, maintenance, or repair work. Furthermore, it is not liable for damages caused by the absence or interruption of the grounding system (e.g. electric shock).
- **CAUTION:** in order to avoid a hazard due to inadvertent resetting of the thermal cut-out, this appliance must not be supplied through an external switching device, such as a timer, or connected to a circuit that is regularly switched on and off by the utility.
- The appliance is not designed to be activated by an external timer or separate remote control system.

SAFETY AND WARNINGS

Use and maintenance

- Wash all accessories before first use with a solution of hot water and washing up liquid.
- The dripping pan collects the residues that drip during cooking.
- When you place the grid or air fry tray on the side racks, make sure that the shorter section of the side (between the stop and the extremity) is directed towards the interior of the oven. If the grid has a decorative metal bar, pay attention to position it on the exterior of the oven so that the brand logo can be visible and readable. For the correct positioning refer also to the image in the Accessories section of this user manual.
- Do not use harsh abrasive cleaners or sharp metal scrapers to clean the oven door glasses, since they can scratch the surface, which may result in shattering of the glass.
- During cooking, moisture may condense inside the oven cavity or on the glass of the door. This is a normal condition. To reduce this effect, wait 10-15 minutes after turning on the power before putting food inside the oven. In any case, the condensation disappears when the oven reaches the cooking temperature.
- Cook the vegetables in a container with a lid instead of an open tray.
- Avoid leaving food inside the oven after cooking for more than 15/20 minutes.
- A long power supply failure during an occurring cooking phase may cause a malfunction of the monitor. In this case contact customer service.
- **WARNING:** Do not line the oven walls with aluminium foil or single-use protection available from stores. Aluminium foil or any other protection, in direct contact with the hot enamel, risk melting and deteriorating the enamel of the insides.
- **WARNING:** Never remove the oven door seal.
- **CAUTION:** Do not refill the cavity bottom with water during cooking or when the oven is hot.
- For a correct use of the oven it is advisable not to put the food in direct contact with the racks and trays, but to use oven papers and/or special containers.
- **WARNING:** Risk of burn and damage to the appliance: Using the steam function the released steam can cause burns: Open the door carefully to avoid injury after using a cooking function with steam.
- Use only drinking water to fill in the cavity bottom during the steam function.

Pyro warnings (Does not apply to all models)

- Excess spillage must be removed before cleaning.
- **WARNING:** before initiating the automatic cleaning cycle:
 - Clean the oven door;
 - Remove large or coarse food residues from the inside of the oven using a damp sponge. Do not use detergents;
 - Remove all accessories and the sliding rack kit (where present);
 - Do not place tea towels in the oven.
- During the pyrolytic cleaning process (if available), the surfaces may get hotter than usual and children should be kept away.
- If a hob has been fitted above the oven, never use the hob while the Pyrolizer is working, this will prevent the hob from overheating.

COMPONENTS REQUIRED

..... TOOLS

Supplied

- Screws (2)
- Screw bumper plates (2)

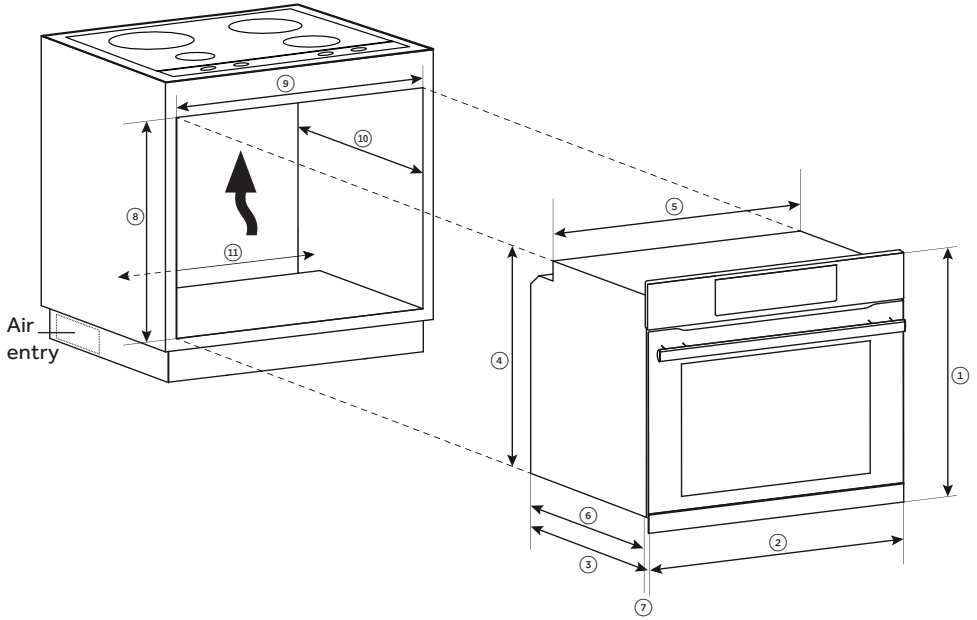
Not supplied

- Powered driver
- Cross-head screwdriver

PRODUCT AND CAVITY DIMENSIONS

Mounting under cooktop

The cabinetry should follow the dimensions shown. This allows for sufficient airflow behind the oven and between the oven and cooktop for cooling. If the cabinetry base is fully sealed, an opening should be provided to allow cool air to enter.

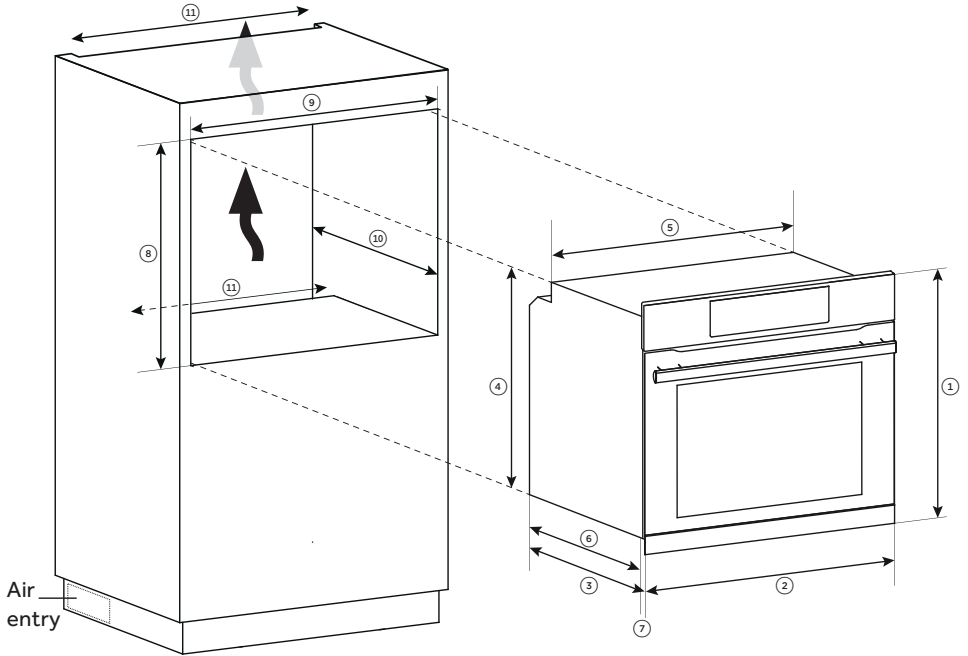


Product Dimensions		mm	Minimum Clearances		mm
1	Overall height of oven	595	8	Minimum inside height of cavity (includes a 5mm air exit gap)	600
2	Overall width of oven	595	9	Minimum inside width of cavity	560
3	Overall depth of oven	568	10	Minimum inside depth of cavity	560
4	Height of chassis	575	11	Air exit vent	560 x 45
5	Width of chassis	550			
6	Depth of chassis	548			
7	Depth of door / control panel	20			

PRODUCT AND CAVITY DIMENSIONS

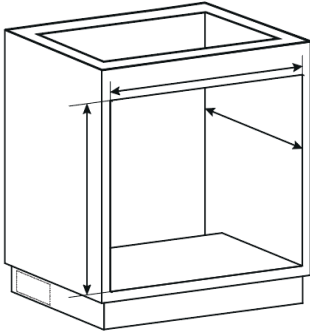
Standalone Installation

If the oven is mounted without a cooktop above, the cabinet depth and height can be reduced. An opening should be provided at the top of the cabinetry to allow hot air to exit. If the bottom of the cabinetry is sealed, an opening should be provided to allow cool air to enter.

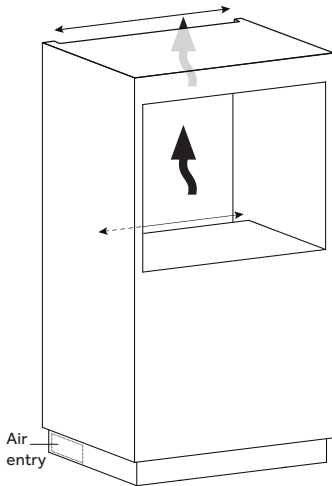


Product Dimensions		mm	Minimum Clearances		mm
1	Overall height of oven	595	8	Minimum inside height of cavity	580
2	Overall width of oven	595	9	Minimum inside width of cavity	560
3	Overall depth of oven	568	10	Minimum inside depth of cavity	560
4	Height of chassis	575	11	Air exit vent	560 x 45
5	Width of chassis	550			
6	Depth of chassis	548			
7	Depth of door / control panel	20			

CHECK CAVITY



1. Measure cavity dimensions. Ensure all minimum specifications have been met. Refer to page 10 and 11.

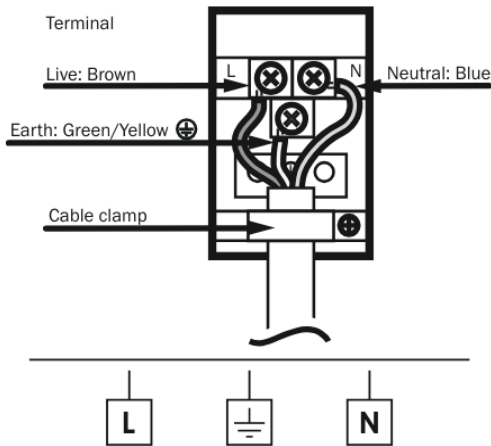


2. Ensure any cooktop ventilation requirements have been considered.

CONNECT POWER

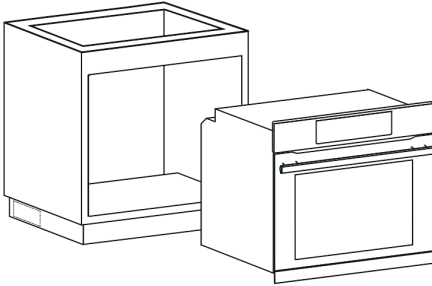
- This oven must be connected to the mains power supply only by a suitably qualified person.
- The mains lead must not be clamped, bent, trapped, or come into contact with hot parts of the appliance.
- This oven must be earthed.
- Before connecting the oven to the mains power supply, check that:
 - The domestic wiring system is suitable for the power drawn by the oven (as specified on the rating plate)
 - The voltage corresponds to the value given on the rating plate.

MODEL CODE	MAX POWER (W)	FREQUENCY (HZ)	VOLTAGE (V)	AMPS (A)
HWO60S	3300	50	220-240	16

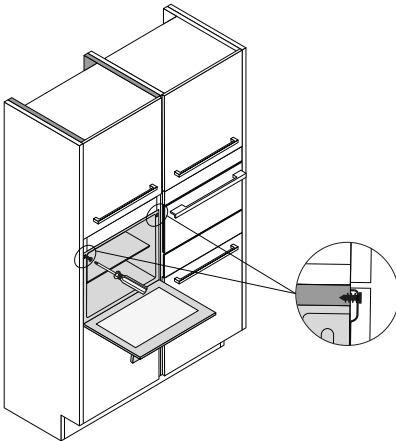


Connect to the terminal block as shown. Ensure oven is correctly Earthed and cable clamp is tightened.

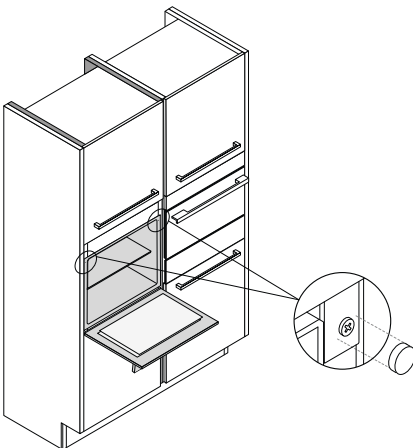
FIT THE PRODUCT



1. Lift the product into the cavity, align the oven with surrounding cabinetry and appliances.



2. Remove the covers from the bumpers behind the door. Using the bumper holes as a guide, pre-drill 2 x 3mm pilot holes, then fix the oven to the cavity using the 2 x #4.2x25 screws provided.



3. Fix the provided bumper cover into place over the screw.

INSTALLER CHECKLIST

To be completed by the installer

- Ensure the oven is level and securely fitted to the cabinetry.
- Open the oven door slowly until it is fully open and check there is adequate clearance between the bottom of the door and the lower trim. This is to ensure correct air circulation. Should the lower trim become damaged, straighten the trim and ensure the oven door opens fully without obstruction.
- Ensure you remove all internal packaging before using your oven.
- Ensure all oven vents and openings are clear and free of any obstruction or damage. Failure to make sure all oven vents and openings are clear may result in poor product performance.
- Ensure the isolating switch is accessible by the customer.

Complete and keep for safe reference:

Model _____

Serial no. _____

Purchase date _____

Purchaser _____

Dealer address _____

Installer's name _____

Installer's signature _____

Installation company _____

Installation date _____

Haier

WWW.HAIER.COM.AU
WWW.HAIER.CO.NZ