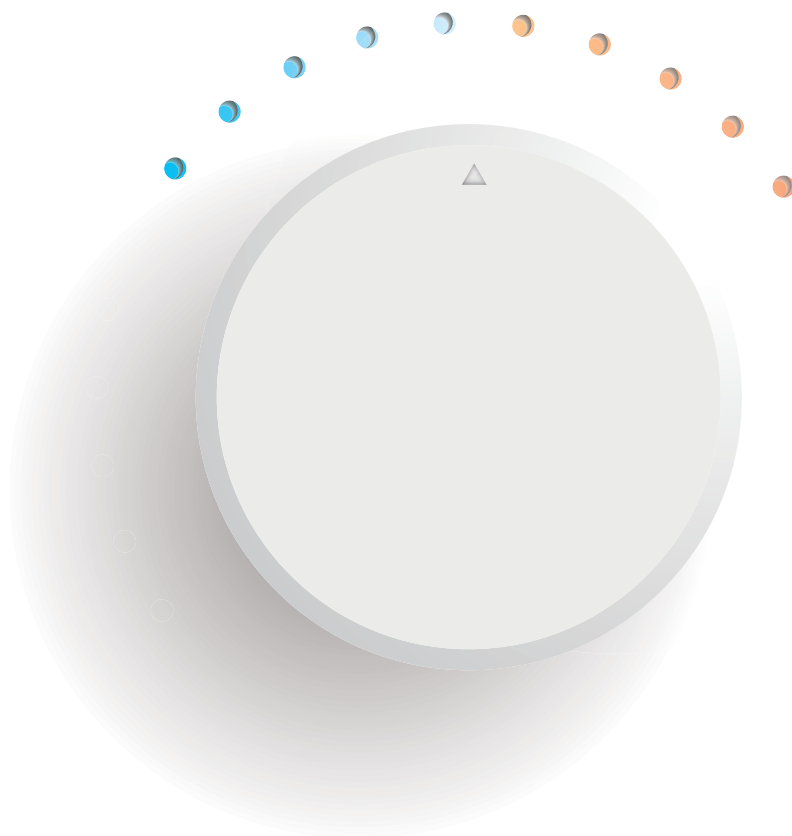


Smart Power

Ducted and Cassette

DC Inverter Air Conditioning Split Systems



Haier

Product Brochure 2022



Home



Office



Shop



Hotel





Contents

Ducted air conditioning system	4
Smart Power outdoor	6
High static ducted	8
High static ducted specifications	10
Low profile ducted	12
Low profile ducted specifications	14
Round way cassette	16
Round way cassette specifications	18
Controls	20
Outdoor unit drawings	22
Indoor unit drawings	24
Haier brand story	26



DUCTED AIR CONDITIONING SYSTEM

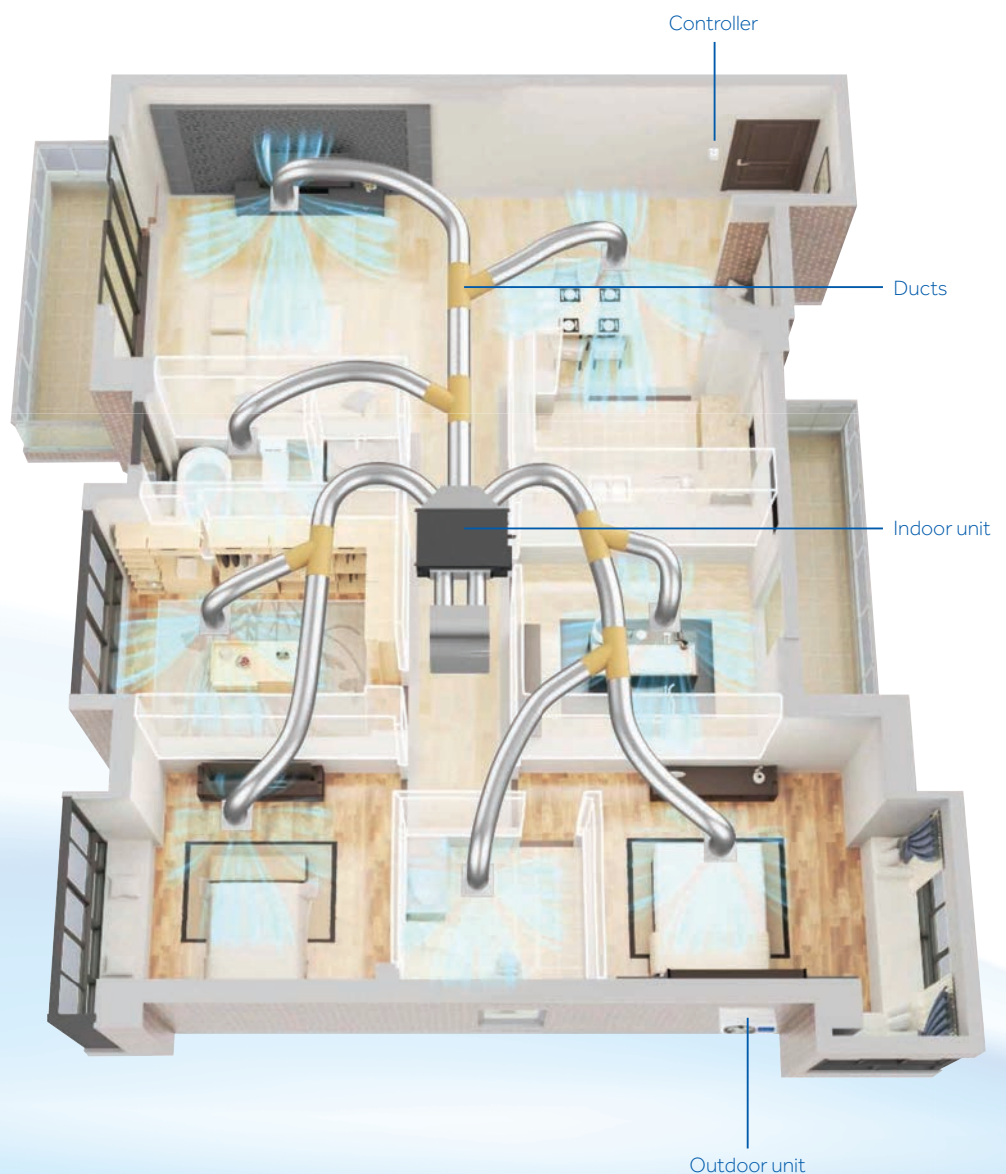
Smart Power

Haier's Smart Power ducted air conditioning systems provide an effective whole-of-home heating and cooling solution. Also suitable for commercial spaces, the system is made up of:

- an outdoor unit in a suitable location
- an indoor unit, often located out of view in the ceiling
- flexible ductwork to deliver airflow to multiple rooms through discreet vents
- a controller that is used to control the whole air conditioning system.

To suit all kinds of installation requirements, we offer three types of indoor unit:

- High static ducted
- Low profile ducted
- Round way cassette.





Zone control

For control over the airflow to individual rooms, Haier offers an optional SmartZone controller.

With up to eight controllable zones, SmartZone lets you turn the airflow on or off to rooms depending on how they are used, minimising unnecessary heating or cooling for improved efficiency.



With SmartZone installed, air conditioning is switched on for only the three occupied rooms.



SMART POWER OUTDOOR

With a 180° sine wave DC inverter, the Smart Power outdoor unit is designed for quiet and efficient operation, paired with an indoor unit to suit the installation.

FEATURES AND BENEFITS

Wi-Fi connectivity

It is simple to make the Haier Smart Power System Wi-Fi compatible. Purchase the additional accessory (HI-WB101DEI) and connect it to the indoor unit and your internet via your Wi-Fi router. Then you can control your Haier system wherever you are by smart phone or tablet.

Download the Haier SmartHQ™ app, free from Apple® or on Google Play.



Corrosion protection

Haier evaporators have a Blue Fin coating that protects the unit, with strong corrosion resistance and super hydrophilic performance.



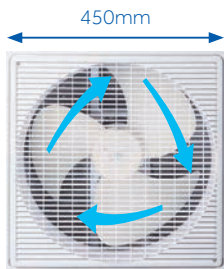
R32 lower-impact refrigerant

Our air conditioning systems use a next-generation R32 refrigerant, which efficiently carries heat and has a lower environmental impact than R410A.

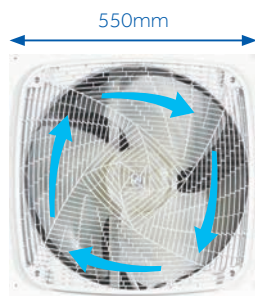


Large fans, low sound level

Quieter operation is achieved by our industry-leading 550mm fan and a unique outlet grille that offers less resistance to airflow.



Competitor Fan Grille



Haier Fan Grille

Handles for easier transport

Each outdoor unit is designed with four handles, allowing two people to carry it.





HIGH STATIC DUCTED

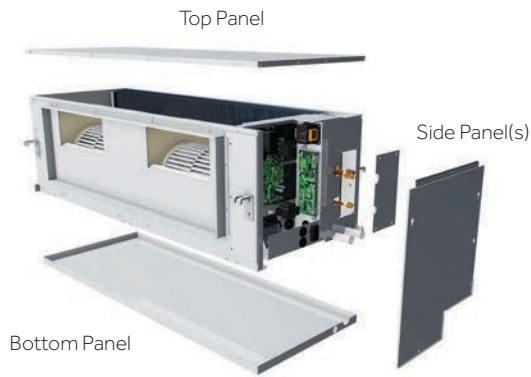
The Smart Power high static ducted indoor unit delivers powerful heating and cooling to every room, installed hidden in the ceiling cavity or under the floor for an uninterrupted interior.

Wi-Fi compatible with the optional accessory (HI-WB101DEI).

FEATURES AND BENEFITS

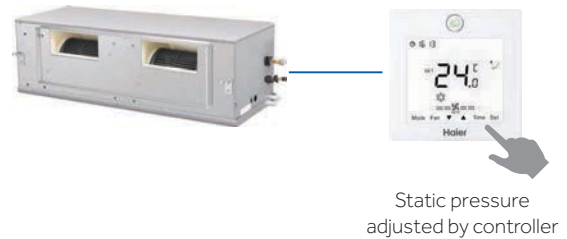
Serviceability

Top, bottom or side panels are removable for servicing and installation (10.5–16kW).



10-step ESP adjustment

External static pressure (ESP) can be adjusted using the controllers, YR-E17A or YR-E16B. No need to open the electrical box and adjust by switch or plug, reducing installation time.



Backup drain tray

High static indoor units are designed to incorporate two drain trays for condensate removal. The secondary tray is a backup in case the first one overflows due to a blockage.



Two-piece design

For easier installation, the 20 and 24kW indoor units can be separated into two manageable pieces. The single unit can then be reassembled in the ceiling.



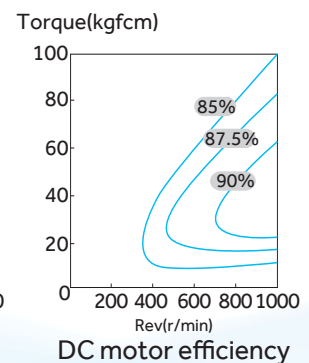
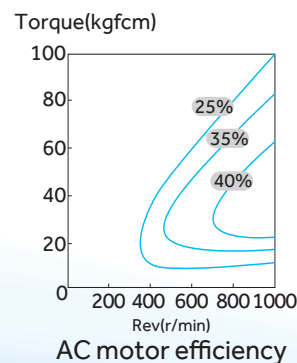
Compact dimensions

The high static indoor unit (10–15.5kW models) has a compact chassis, designed to fit in small ceiling spaces and between standard roof truss spacings of 600mm.



DC fan motor

DC fan motors are renowned for using less energy than a standard AC motor. They are also highly adjustable for better airflow and static pressure tuning.



HIGH STATIC DUCTED SPECIFICATIONS



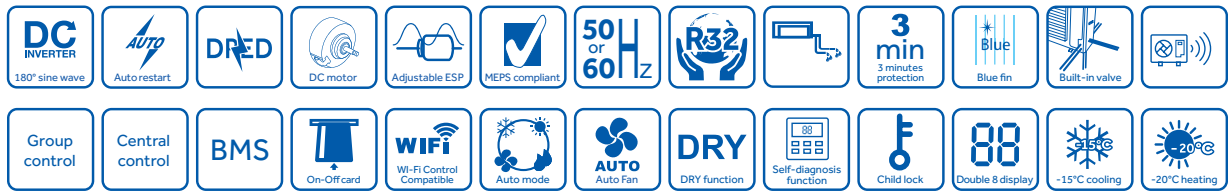
Outdoor unit
1U100S2SN5FA



Outdoor unit
1U125S2SP5FA
1U140S2SP5FA
1U160S2SP5FA



Indoor unit
AD100S2SH5FA
AD125S2SH5FA
AD140S2SH5FA
AD160S2SH5FA



Model			Indoor unit	AD100S2SH5FA	AD125S2SH5FA	AD140S2SH5FA	AD160S2SH5FA
			Outdoor unit	1U100S2SN5FA	1U125S2SP5FA	1U140S2SP5FA	1U160S2SP5FA
Nominal performance data	Rated capacity	Cooling	kW nom (min-max)	10.0 (2.5-11.0)	12.5 (3.5-14.0)	14.0 (3.5-15.0)	15.5 (3.5-17.5)
		Heating	kW nom (min-max)	11.5 (2.5-12.0)	14.0 (4.0-16.5)	16.0 (6.0-18.0)	18.0 (6.0-19.0)
	Rated power input	Cooling	kW nom (min-max)	3.12 (0.5-5.3)	3.68 (1.0-5.8)	4.43 (2.0-6.8)	4.83 (2.0-7.0)
		Heating	kW nom (min-max)	3.19 (0.5-5.5)	3.68 (1.0-5.8)	4.57 (2.0-6.5)	4.8 (2.0-7.0)
	EER			3.21	3.40	3.16	3.21
COP			3.61	3.80	3.50	3.75	
TCSPF (hot / average / cold climate)			Residential	4.419 / 4.072 / 4.217	4.003 / 3.731 / 3.788	4.404 / 4.110 / 4.285	4.236 / 3.974 / 4.108
			Commercial	4.753 / 4.839 / 5.171	4.228 / 4.201 / 4.425	4.728 / 4.840 / 5.186	4.518 / 4.597 / 4.899
HSPF (hot / average / cold climate)			Residential	4.071 / 3.567 / 3.056	3.514 / 3.419 / 3.155	3.783 / 3.390 / 2.956	3.784 / 3.138 / 2.722
			Commercial	4.066 / 3.772 / 3.239	3.491 / 3.417 / 3.210	3.775 / 3.427 / 3.089	3.768 / 3.416 / 2.921
Indoor Unit							
Electrical	Power input	Watt		540	550	600	600
Performance	Air flow (H/M/L/LL)	l/s		800/665/525/385	905/765/625/490	1000/865/725/585	1115/945/780/615
	ESP	pa		37-210			
	Sound pressure level (H/M/L)	dB (A)		45/41/37/33	47/44/42/39	49/46/43/40	51/47/44/40
Installation	External dimensions (WxDxH)	mm		1350 x 490 x 425			
	Weight net/shipping	kg		59/70	59/70	61/72	61/72
	Supply air connection	mm		1045 x 307			
	Return air connection	mm		1163 x 353			
Controls	Wired controller	Optional		YR-E17A			
	Wired controller	Optional		YR-E16			
	Wireless controller	Optional		RE02 & YR-HBS01			
	Wi-Fi	Optional		HI-WB101DEI			
Outdoor Unit							
Electrical Parameters	Power supply	Ph/V/Hz		1/220-240/50			
	Rated amps	Cooling	Amp	13.3	16.5	18.5	21
		Heating	Amp	13.7	17.5	19.8	21.5
	Maximum amps	Amp	23.2	30.0	32.0	32.0	
Performance	Air flow (H)	l/s	4000	6500	7000	7500	
	Sound power level	dB (A)	68	69	70	73	
	Sound pressure level	dB (A)	52	52	53	56	
Installation	External dimensions (WxDxH)	mm	950 x 370 x 965	950 x 370 x 1350			
	Weight net/shipping	kg	82/94	105/118	105/118	105/118	
	Compressor type		Twin rotary				
	Refrigerant type		R32				
	Refrigerant liquid pipe	mm	9.52				
	Refrigerant gas pipe	mm	15.88	19.05			
	Max pipe length	m	50	75			
	Max drop between IU & OU	m	30				
	Pre-charge of refrigerant	kg	2.3	2.9	2.9	2.9	
	Pre-charged line length	m	20	30	30	30	
Additional gas charge	g/m	45					
Working Temperature	Cooling (min-max)	°C	-15 to 50				
	Heating (min-max)	°C	-20 to 24				

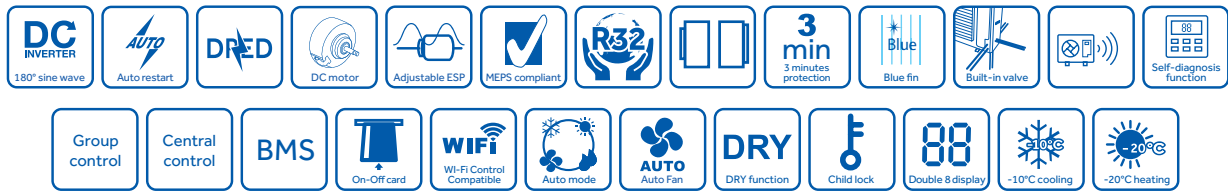
Nominal condition: as per AS/NZS3823.2
 Indoor temperature (cooling): 27°C DB / 19°C WB; indoor temperature (heating): 20°C DB
 Outdoor temperature (cooling): 35°C DB / 24°C WB; outdoor temperature (heating): 7°C DB / 6°C WB



Outdoor unit
1U200H1ERK
1U250H1ERK



Indoor unit
ADH200H1ERG
ADH250H1ERG



Model			Indoor unit	ADH200H1ERG	ADH250H1ERG
			Outdoor unit	1UH200H1ERK	1UH250H1ERK
Nominal performance data	Rated capacity	Cooling	Capacity (min-max)	20.5 (6.2-23.5)	24.0 (7.2-26.5)
		Heating	Capacity (min-max)	22.8 (7.2-24.8)	26.8 (8.2-28.8)
	Rated power input	Cooling	Input (min-max)	6.1 (2.5-8.5)	7.47 (3.5-9.5)
		Heating	Input (min-max)	6.0 (2.5-8.5)	7.18 (3.5-9.5)
	EER			3.36	3.21
COP			3.80	3.73	
Indoor Unit					
Electrical	Power input		Watt	800	920
Performance	Air flow (H/M/L/LL)		l/s	1200/1050/950/850	1400/1250/1100/1000
	ESP		pa	62-300	72-300
	Sound pressure level (H/M/L)		dB (A)	54/50/45	55/51/47
Installation	External dimensions (WxDxH)		mm	1330 x 895 x 500	1330 x 895 x 500
	Weight net/shipping		kg	96/125	96/125
	Supply air connection		mm	958 x 377	958 x 377
	Return air connection		mm	1118 x 347	1118 x 347
Controls	Wired controller		Optional	YR-E17	
	Wired controller		Optional	YR-E16a or YR-E16b	
	Wireless controller		Optional	RE-02 & YR-HD	
	Wi-Fi		Optional	HI-WB101DEI	
Outdoor Unit					
Electrical Parameters	Power supply		Ph/V/Hz	3/380-415/50	3/380-415/50
	Rated amps	Cooling	Amp	10.3	12
		Heating	Amp	10	11.8
	Maximum amps		Amp	15.3	16.3
Performance	Air flow (H)		l/s	2890	2890
	Sound power level		dB (A)	75	75
	Sound pressure level		dB (A)	58	58
Installation	External dimensions (WxDxH)		mm	1050 x 413 x 1636	1050 x 413 x 1636
	Weight net/shipping		kg	160/175	160/175
	Compressor type			Twin rotary	Twin rotary
	Refrigerant type			R410A	R410A
	Refrigerant liquid pipe		mm	12.7	12.7 (Brazed)
	Refrigerant gas pipe		mm	19.05	22.22 (Brazed)
	Max pipe length		m	75	75
	Max drop between IU & OU		m	30	30
	Pre-charge of refrigerant		kg	6.35	6.35
	Pre-charged line length		m	30	30
Additional gas charge		g/m	45	45	
Working Temperature	Cooling (min-max)		°C	-10 to 46	-10 to 46
	Heating (min-max)		°C	-20 to 24	-20 to 24

Nominal condition: as per AS/NZS3823.2
Indoor temperature (cooling): 27°C DB / 19°C WB; indoor temperature (heating): 20°C DB
Outdoor temperature (cooling): 35°C DB / 24°C WB; outdoor temperature (heating): 7°C DB / 6°C WB



LOW PROFILE DUCTED

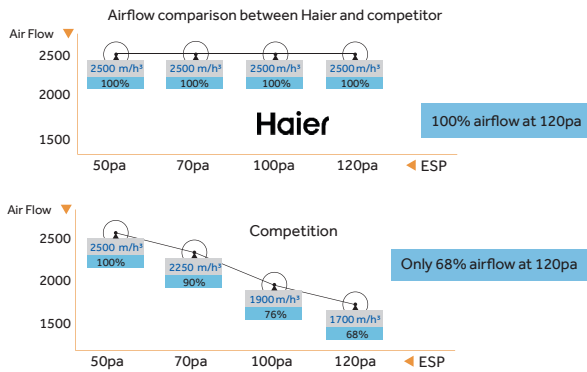
The Smart Power low profile ducted indoor unit is designed for adaptable installation in shallow spaces, such as between levels in multistorey buildings, for precise temperature control across multiple rooms.

Wi-Fi compatible with the optional accessory (HI-WB101DEI).

FEATURES AND BENEFITS

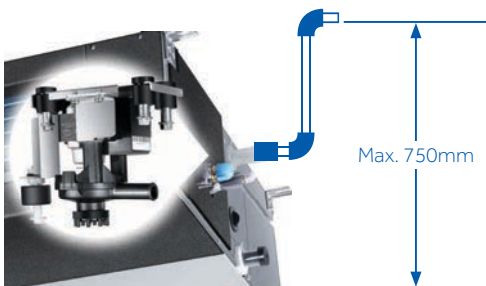
Consistent airflow

The indoor units can contain up to three fans to provide consistent airflow for different ductwork installations. Haier testing has proven no loss of airflow at increased static pressure installations.



High-lift drain pump

Designed with a quality built-in condensate pump that can lift water up to 750mm, for flexible installation.



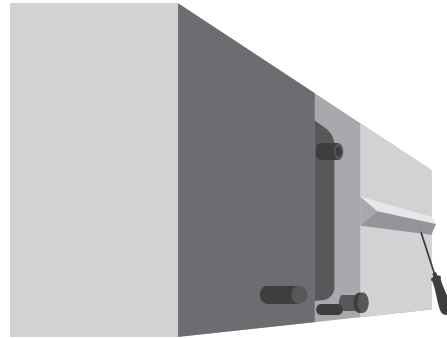
Left or right drain outlet

In addition to the pump drain outlet, two gravity drain connections are provided, one on the left and one on the right.



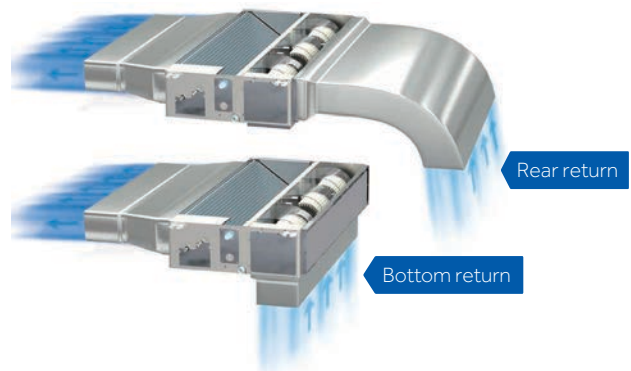
Accessible wiring

A 45° panel allows easy unscrewing for better access to wiring.



Return air choices

Clever design allows the rear return air to be easily converted to bottom return air, along with the supplied air filter, to suit the installation.



Super slim

The unit is designed with a super low height of 250mm to fit into shallow spaces where a ducted system would otherwise not be suitable.



LOW PROFILE DUCTED SPECIFICATIONS



Outdoor unit
1U71S2SS5FA



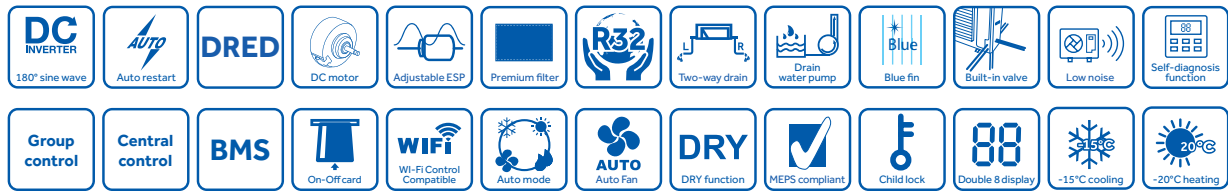
Outdoor unit
1U100S2SN5FA



Indoor unit
AD71S2SM7FA



Indoor unit
AD100S2SM7FA



Model			Indoor unit	AD71S2SM7FA	AD100S2SM7FA
			Outdoor unit	1U71S2SS5FA	1U100S2SN5FA
Rated performance data	Nominal capacity	Cooling	kW nom (min-max)	7.1 (2-8.5)	10 (2.5-11)
		Heating	kW nom (min-max)	7.8 (2-9.5)	10.8 (2.5-12)
	Rated power input	Cooling	kW nom (min-max)	2.1 (0.4-3.5)	3.17 (0.5-5)
		Heating	kW nom (min-max)	2.2 (0.4-3.5)	3.14 (0.5-5)
	EER	W/W	3.38	3.15	
COP	W/W	3.55	3.44		
TCSPF (hot / average / cold climate)			Residential	3.964 / 3.609 / 3.631	4.074 / 3.767 / 3.864
			Commercial	4.209 / 4.151 / 4.359	4.350 / 4.383 / 4.652
HSPF (hot / average / cold climate)			Residential	3.590 / 3.403 / 3.111	3.690 / 3.397 / 3.019
			Commercial	3.576 / 3.453 / 3.216	3.681 / 3.496 / 3.191
Indoor Unit					
Performance	Air flow (H/M/L/LL)		l/s	402/333/263/194	
	ESP		Pa	25-150	
	Sound power level (H/M/L)		dB(A)	58	
	Sound pressure level (H/M/L)		dB(A)	42/38/35	
Installation	External dimensions (W/D/H)		mm	1100 x 700 x 248	
	Weight net/shipping		kg	38/44	
	Supply air connection		mm	992 x 165	
	Return air connection		mm	978 x 238	
Controller	Wired controller		Optional	YR-E17A	
	Wired controller		Optional	YR-E16	
	Wireless controller		Optional	RE02 & YR-HBS01	
	Wi-Fi		Optional	HI-WB101DEI	
Outdoor Unit					
Electrical	Power supply		Ph/V/Hz	1/220-240/50	
	Rated current	Cooling	Amps	8.8	13.6
		Heating	Amps	9.2	13.6
Maximum current		Amps	17.5	21	
Performance	Air flow (H)		m ³ /h	3200	4000
			l/s	885	1110
	Sound power level		dB(A)	64	68
	Sound pressure level		dB(A)	47	52
Installation	External dimensions (WxDxH)		mm	920 x 372 x 760	950 x 370 x 965
	Weight net/shipping		kg	60/65	82/94
	Compressor type			Twin rotary	
	Refrigerant type			R32	
	Refrigerant liquid pipe		mm	9.52	
	Refrigerant gas pipe		mm	15.88	
	Max pipe length		m	50	
	Max drop between IU & OU		m	30	
	Pre-charge of refrigerant		kg	1.7	2.3
	Pre-charged line length		m	20	
Working temperature	Cooling (min-max)		°C	-15 to 50	
	Heating (min-max)		°C	-20 to 24	

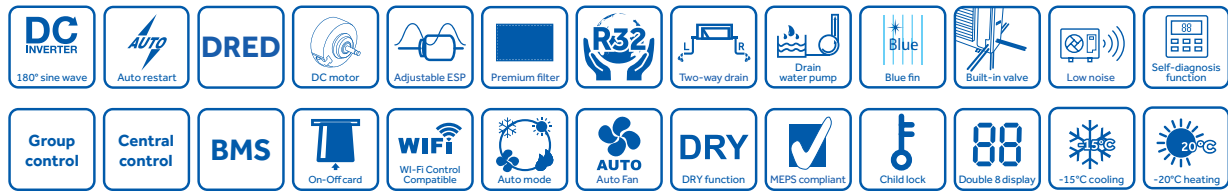
Nominal condition: as per AS/NZS3823.2
 Indoor temperature (cooling): 27°C DB / 19°C WB; indoor temperature (heating): 20°C DB
 Outdoor temperature (cooling): 35°C DB / 24°C WB; outdoor temperature (heating): 7°C DB / 6°C WB



Outdoor unit
1U125S2SP5FA
1U140S2SP5FA



Indoor unit
AD125S2SM7FA
AD140S2SM7FA



Model			Indoor unit	AD125S2SM7FA	AD140S2SM7FA
			Outdoor unit	1U125S2SP5FA	1U140S2SP5FA
Rated performance data	Nominal capacity	Cooling	kW nom (min-max)	12.0 (3.5-14)	13 (3.5-15)
		Heating	kW nom (min-max)	14 (4-16)	15 (4-18)
	Rated power input	Cooling	kW nom (min-max)	3.77 (1-5.8)	4.11 (1-6.8)
		Heating	kW nom (min-max)	4.01 (1-5.8)	4.29 (1-6.5)
	EER	W/W	3.18	3.16	
COP	W/W	3.49	3.50		
TCSPF (hot / average / cold climate)			Residential	3.947 / 3.678 / 3.760	4.134 / 3.858 / 3.977
			Commercial	4.190 / 4.201 / 4.445	4.410 / 4.465 / 4.749
HSPF (hot / average / cold climate)			Residential	3.594 / 3.306 / 2.938	3.646 / 3.351 / 2.978
			Commercial	3.581 / 3.407 / 3.018	3.634 / 3.455 / 3.060
Indoor Unit					
Performance	Air flow (H/M/L/LL)		l/s	625/544/466/416	
	ESP		Pa	25-150	
	Sound power level (H/M/L)		dB(A)	65	
	Sound pressure level (H/M/L)		dB(A)	45/42/37	
Installation	External dimensions (W/D/H)		mm	1500 x 700 x 248	
	Weight net/shipping		kg	52/62	
	Supply air connection		mm	1392 x 165	
	Return air connection		mm	1378 x 238	
Controller	Wired controller		Optional	YR-E17A	
	Wired controller		Optional	YR-E16	
	Wireless controller		Optional	RE02 & YR-HBS01	
	Wi-Fi		Optional	HI-WB101DEI	
Outdoor Unit					
Electrical	Power supply		Ph/V/Hz	1/220-240/50	
	Rated current	Cooling	Amps	17	18.5
		Heating	Amps	17	19
Maximum current		Amps	30	32	
Performance	Air flow (H)		m ³ /h	6500	7000
			l/s	885	1110
	Sound power level		dB(A)	69	70
	Sound pressure level		dB(A)	52	53
Installation	External dimensions (WxDxH)		mm	950 x 370 x 1350	
	Weight net/shipping		kg	105/118	108/121
	Compressor type			Twin rotary	
	Refrigerant type			R32	
	Refrigerant liquid pipe		mm	9.52	
	Refrigerant gas pipe		mm	15.88	19.05
	Max pipe length		m	75	
	Max drop between IU & OU		m	30	
	Pre-charge of refrigerant		kg	2.5	
	Pre-charged line length		m	20	
Working temperature	Cooling (min-max)		°C	-15 to 50	
	Heating (min-max)		°C	-20 to 24	

Nominal condition: as per AS/NZS3823.2
Indoor temperature (cooling): 27°C DB / 19°C WB; indoor temperature (heating): 20°C DB
Outdoor temperature (cooling): 35°C DB / 24°C WB; outdoor temperature (heating): 7°C DB / 6°C WB



ROUND WAY CASSETTE

With a DC fan motor and unique round way air outlet, the Smart Power round way cassette indoor unit delivers 360° airflow to reach every part of the room.

Wi-Fi compatible with the optional accessory (HI-WB101DEI).

FEATURES AND BENEFITS

Fresh air inlet

A pre-set fresh air inlet can introduce the outside fresh air into the room to improve the indoor air quality.



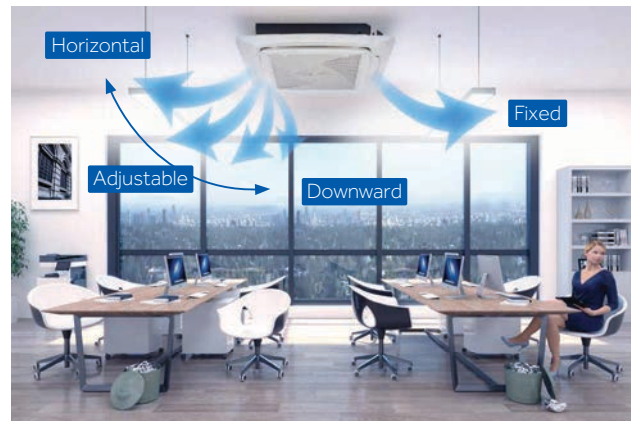
High-lift drain pump

The built-in condensate pump can lift water up to 1000mm.



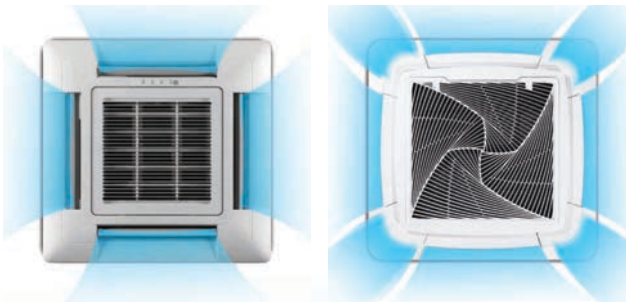
Individual louvre control

The four louvres can be controlled individually using the supplied controller for maximum comfort throughout the room.



Round flow air supply

Air supply in all directions to improve air distribution.



Traditional four-way airflow

New round way airflow design

Hidden LCD Display

Discreet LCD display design shows green for cooling and red for heating.



ROUND WAY CASSETTE SPECIFICATIONS



Outdoor unit
1UH071N1ERG
1UH105N1ERG



YR-HBS01



Indoor unit
ABH071H5ERG
ABH105K5ERG



Model		Indoor unit		ABH071H5ERG	ABH105K5ERG
		Outdoor unit		1UH071N1ERG	1UH105N1ERG
Rated performance data	Nominal capacity	Cooling	kW nom (min-max)	7.1 (2.0-8.0)	10.0 (2.5-11)
		Heating	kW nom (min-max)	7.8 (2.0-9.0)	10.6 (2.5-11.3)
	Rated power input	Cooling	kW nom (min-max)	2.08 (0.4-4.0)	3.19 (0.5-4.0)
		Heating	kW nom (min-max)	2.10 (0.4-4.0)	3.20 (0.5-4.0)
	EER		W/W	3.41	3.13
	COP		W/W	3.71	3.31
Star rating (cooling/heating)			2.5/3.0	1.5/2.0	
Indoor Unit					
Performance	Air flow (H/M/L)		l/s	378/350/297/228	467/425/367/331
	Sound power level (H/M/L)		dB(A)	62	62
	Sound pressure level (H/M/L)		dB(A)	35/33/29/26	45/42/38/34
Installation	External dimensions (W/D/H)		mm	850 x 850 x 246	850 x 850 x 288
	Weight net/shipping		kg	31/36	32/38
Controller	Wireless controller		Optional	YR-HBS-01	
	Wired controller		Optional	YR-E17 / YR-E16A / YR-E16B	
	Wi-Fi		Optional	HI-WB101DEI	
Outdoor Unit					
Electrical	Power supply		Ph/V/Hz	1/220-240/50	
	Rated current	Cooling	Amps	9.1	13.6
		Heating	Amps	9.1	13.6
Maximum current		Amps	17.5	20	
Performance	Air flow (H)		m ³ /h	3200	4000
			l/s	885	1110
	Sound power level		dB(A)	64	68
	Sound pressure level		dB(A)	47	52
Installation	External dimensions (WxDxH)		mm	950 x 370 x 965	
	Weight net/shipping		kg	80/92	82/94
	Compressor type			Rotary	
	Refrigerant type			R410A	
	Refrigerant liquid pipe		mm	9.52 (3/8)	
	Refrigerant gas pipe		mm	15.88 (5/8)	
	Max pipe length		m	50	
	Max drop between IU & OU		m	30	
	Pre-charge of refrigerant		kg	2.5	
	Pre-charged line length		m	20	
Additional gas charge		g/m	45		
Working temperature	Cooling (min-max)		°C	-15 to +50	
	Heating (min-max)		°C	-20 to +24	

Nominal condition: as per AS/NZS3823.2
Indoor temperature (cooling): 27°C DB / 19°C WB; indoor temperature (heating): 20°C DB
Outdoor temperature (cooling): 35°C DB / 24°C WB; outdoor temperature (heating): 7°C DB / 6°C WB



Outdoor unit
1U125P1ERG
1U125P1ERK



YR-HBS01



Indoor unit
ABH071H5ERG
ABH105K5ERG



Model		Indoor unit		ABH125K5ERG	ABH125K5ERG
		Outdoor unit		1UH125P1ERG	1UH125P1ERK
Rated performance data	Nominal capacity	Cooling	kW nom (min-max)	12.0 (3.5-14.0)	12.0 (3.5-14.0)
		Heating	kW nom (min-max)	13.0 (4.0-17)	13.0 (4.0-17)
	Rated power input	Cooling	kW nom (min-max)	3.83 (1.0-6.0)	3.83 (1.0-6.0)
		Heating	kW nom (min-max)	4.05 (1.0-6.0)	4.05 (1.0-6.0)
	EER		WxW	3.13	3.13
	COP		WxW	3.21	3.21
Star rating (cooling/heating)				1.5/1.5	1.5/2.0
Indoor Unit					
Performance	Air flow (H/M/L)		l/s	540/440/400/330	540/440/400/330
	Sound power level (H/M/L)		dB(A)	64	64
	Sound pressure level (H/M/L)		dB(A)	47/44/38/34	47/44/38/34
Installation	External dimensions (W/D/H)		mm	850 x 850 x 288	
	Weight net/shipping		kg	32/38	
	Wireless controller		Optional	YR-HBS-01	
	Wired controller		Optional	YR-E17 / YR-E16A / YR-E16B	
Wi-Fi		Optional	HI-WB101DEI		
Outdoor Unit					
Electrical	Power supply		Ph/V/Hz	1/220-240/50	3/380-400/50
	Rated current	Cooling	Amps	17.0	6.1
		Heating	Amps	17.2	6.2
Maximum current			Amps	30.0	10.8
Performance	Air flow (H)		m ³ /h	6500	
			l/s	1805	
	Sound power level		dB(A)	69	
Sound pressure level		dB(A)	52		
Installation	External dimensions (WxDXH)		mm	950 x 370 x 1350	
	Weight net/shipping		kg	105/118	108/121
	Compressor type			Rotary	
	Refrigerant type			R410A	
	Refrigerant liquid pipe		mm	9.52	
	Refrigerant gas pipe		mm	15.88	
	Max pipe length		m	75	
	Max drop between IU & OU		m	30	
	Pre-charge of refrigerant		kg	3.7	
	Pre-charged line length		m	30	
Additional gas charge		g/m	45		
Working temperature	Cooling (min-max)		°C	-15 to +50	
	Heating (min-max)		°C	-20 to +24	

Nominal condition: as per AS/NZS3823.2
Indoor temperature (cooling): 27°C DB / 19°C WB; indoor temperature (heating): 20°C DB
Outdoor temperature (cooling): 35°C DB / 24°C WB; outdoor temperature (heating): 7°C DB / 6°C WB

CONTROLS

Controller, YR-E17A

- Touchscreen display with backlight
- Clock, 24-hour timer
- On/Off, Mode, Fan speed, Temperature setting, Swing
- Individual and group control (max. 16 indoor units)
- Static pressure setting
- Humidity sensor with humidity display
- Infrared receiver for wireless controller



Controller, YR-E16B

- Large colour LCD display with touch buttons and backlight
- Clock, weekly timer
- On/Off, Mode, Fan speed, Temperature setting, Swing
- Individual and group control (max. 16 indoor units)
- Static pressure setting



Remote Controller, YR-HRS01 and Infrared Receiver, RE-02

- Optional remote control for ducted systems
- Requires a wired receiver, YR-HRS01



Remote Controller, YR-HBS-01

- Supplied with Round Way Cassette
- Large display and buttons for easy use
- Temperature setting of 0.5 degree increments
- Individual cassette louvre control



CONTROLS

Wi-Fi Accessory, HI-WB101DEI

- Wi-Fi control
- Free download of the app, compatible with Apple and Android
- Weekly timer
- Connect multiple units



Central Controller, HC-SA164DBT

- Individual and group control (max. 64 indoor units)
- 5" TFT colour touchscreen
- Weekly schedule control
- Compatible with MRV, Smart Power, Super Match and HRV



Central Controller, YCZ-A004

- Individual and group control (max. 256 indoor units)
- 7" colour touchscreen
- Schedule control
- Compatible with Smart Power, MRV and hi wall split systems with the required accessories



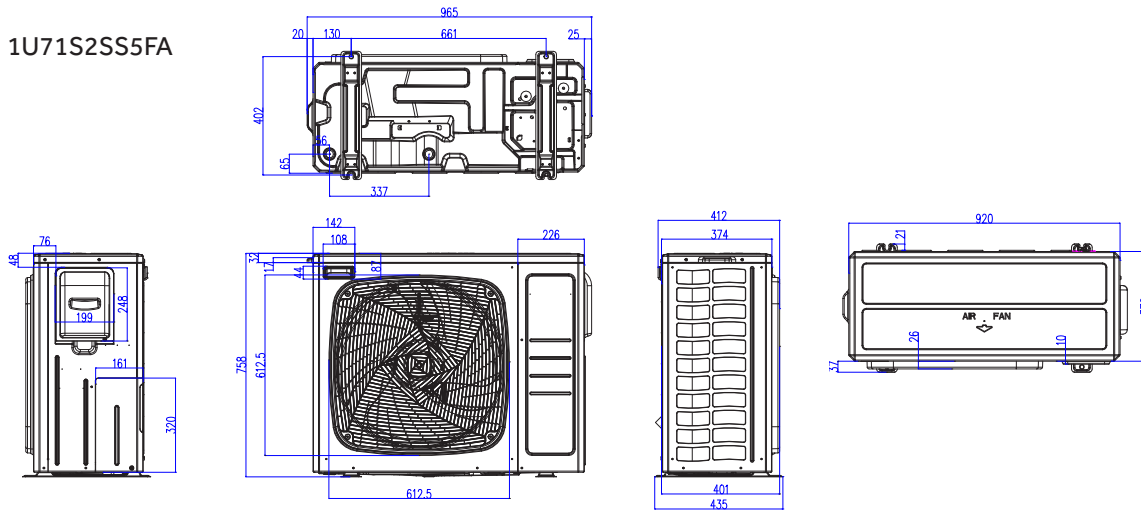
SmartZone Controller, HW-ZA101DBT

- Flexibility to switch on and off up to eight zones
- Customisation of zone name settings
- Backlit display
- Weekly timer

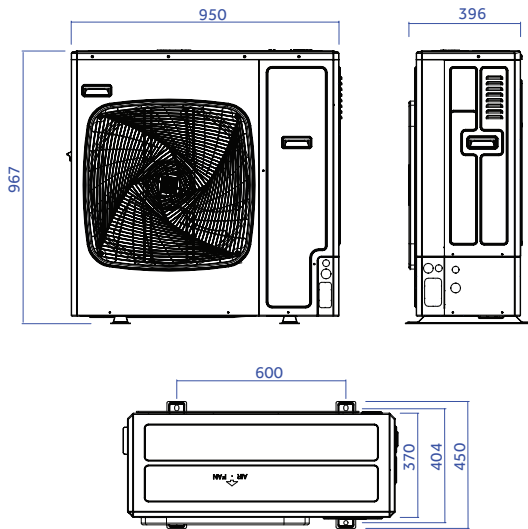


OUTDOOR UNIT DRAWINGS

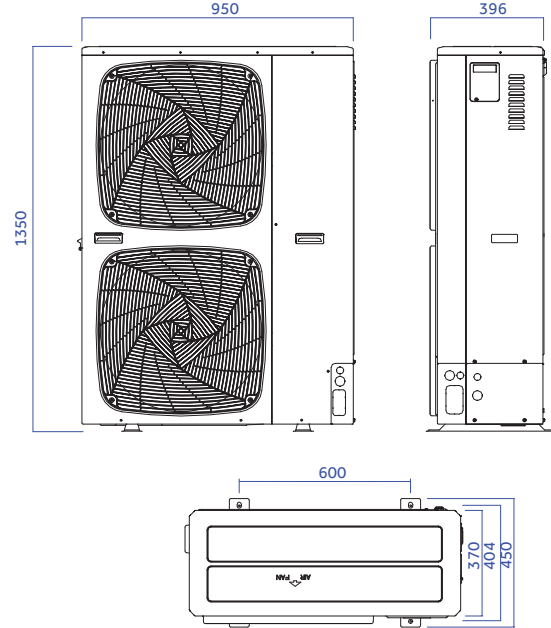
1U71S2SS5FA



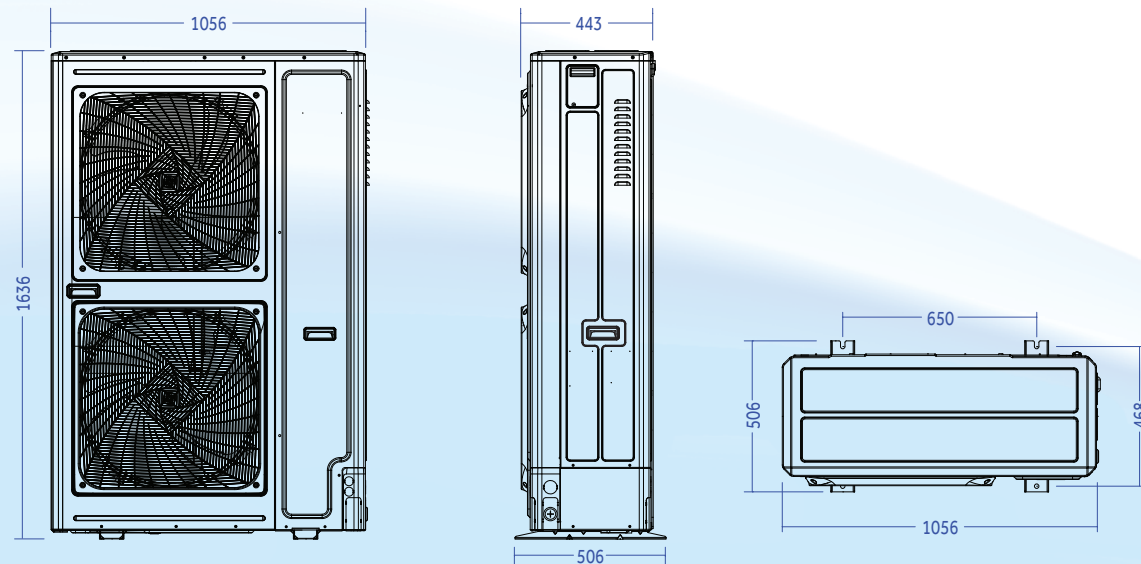
1UH071N1ERG, 1U100S2SN5FA,
1UH105N1ERG



1U125S2SP5FA, 1U140S2SP5FA, 1U160S2SP5FA,
1UH125P1ERG, 1UH125P1ERK



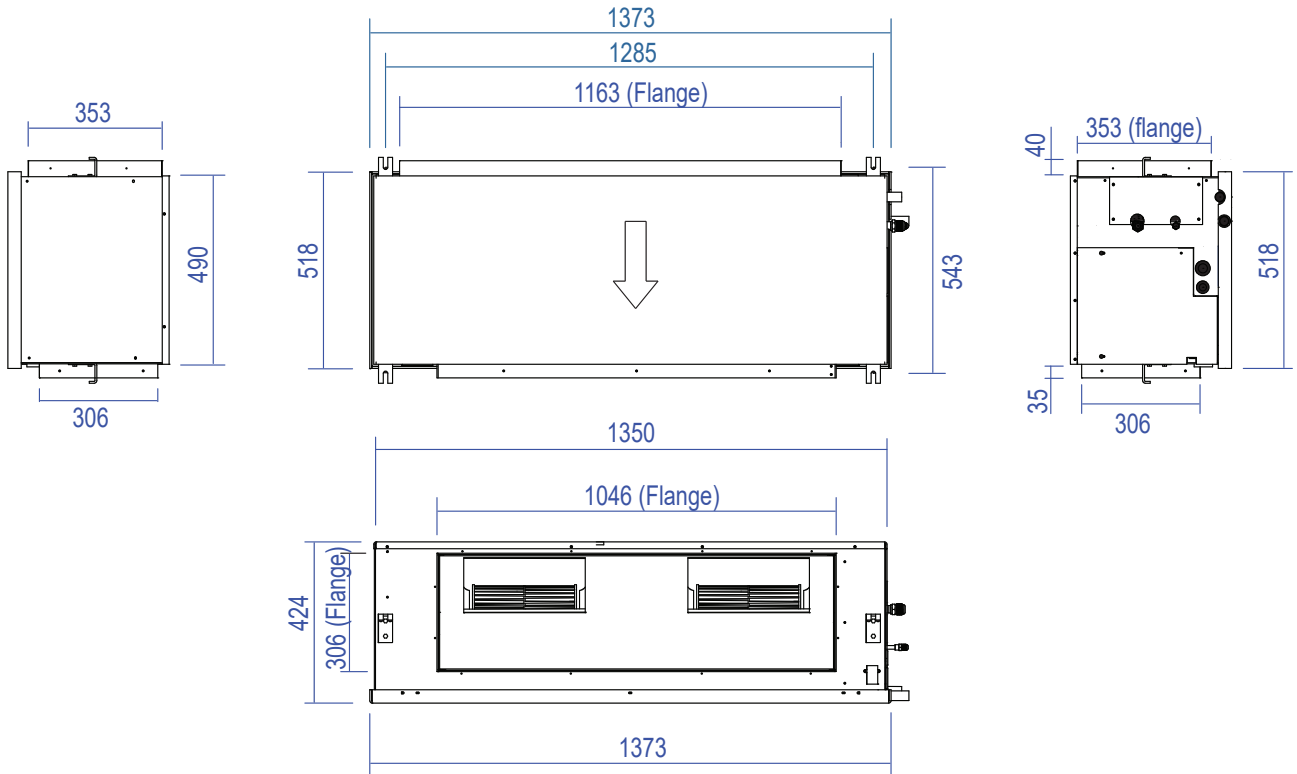
1UH200W1ERK, 1UH250W1ERK



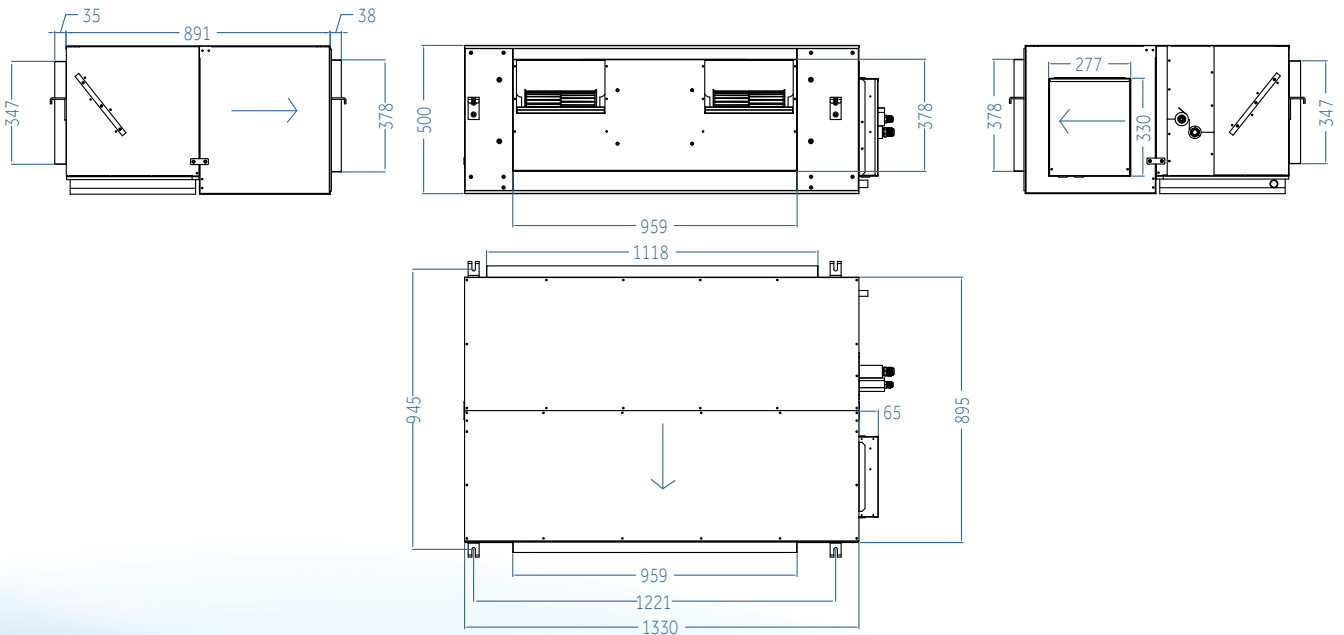
INDOOR UNIT DRAWINGS

HIGH STATIC DUCTED

AD100S2SH5FA, AD125S2SH5FA, AD140S2SH5FA, AD160S2SH5FA



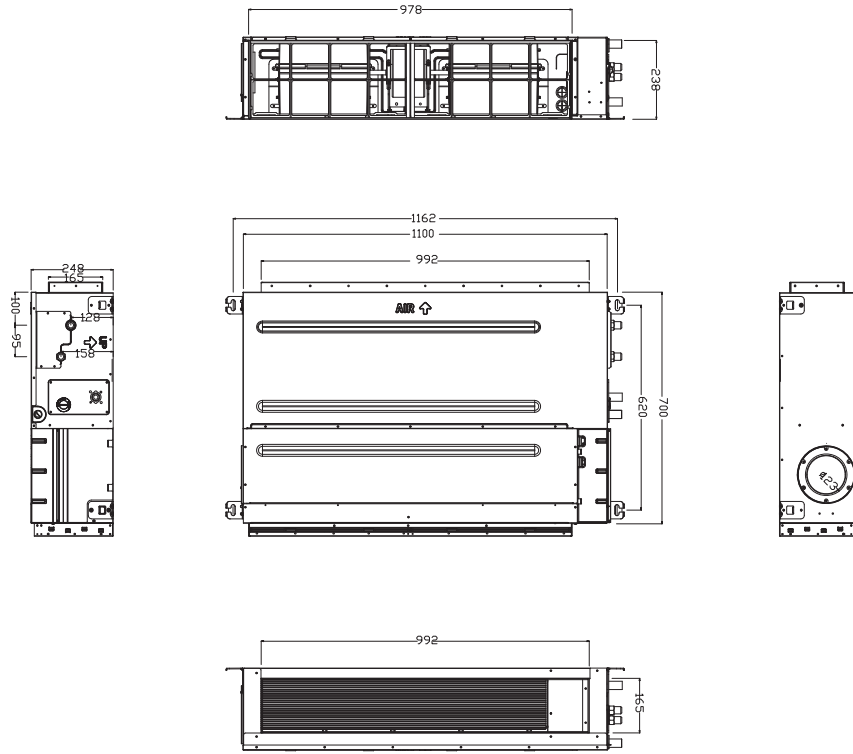
ADH200H1ERG, ADH250H1ERG



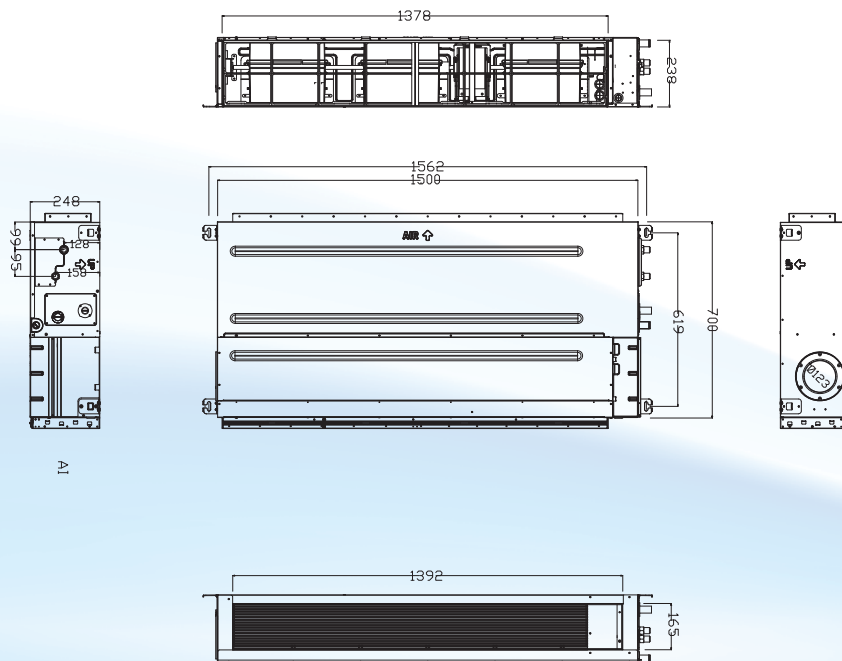
INDOOR UNIT DRAWINGS

LOW PROFILE DUCTED

AD71S2SM7FA



AD100S2SM7FA, AD125S2SM7FA, AD140S2SM7FA

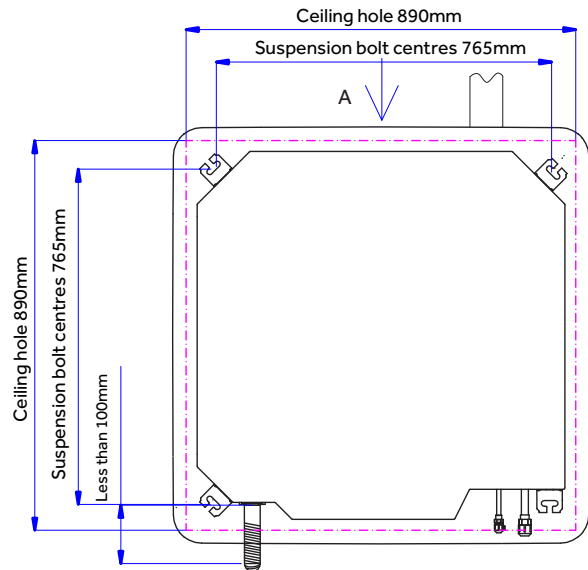
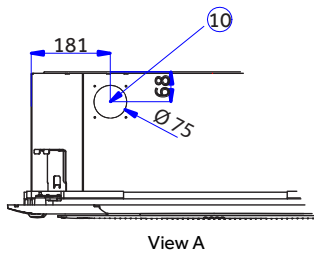
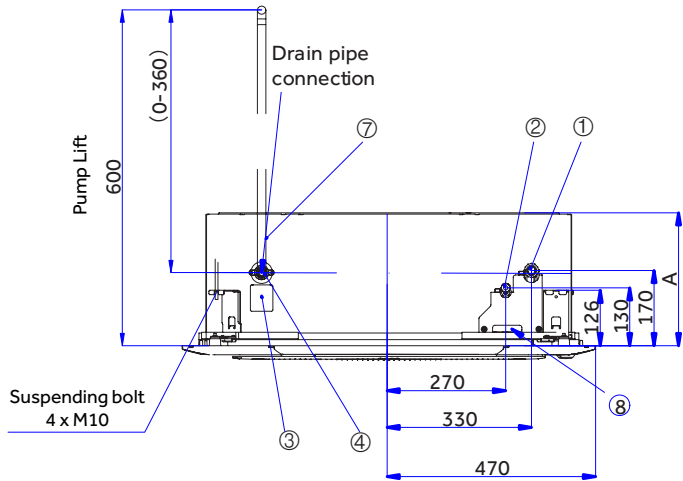
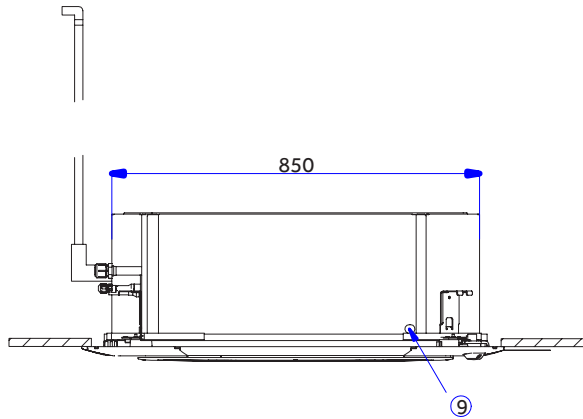
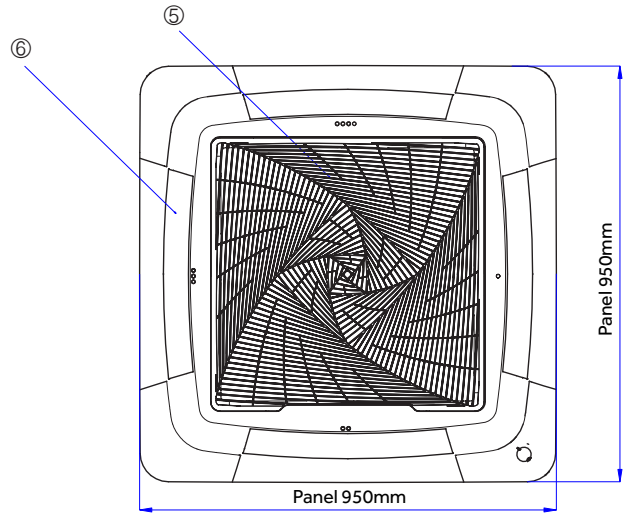


INDOOR UNIT DRAWINGS

ROUND WAY CASSETTE

ABH071H5ERG, ABH105K5ERG, ABH125K5ERG

Code	Name
1	Gas pipe
2	Liquid pipe
3	Drain observation plate
4	Drain pipe
5	Air return grille
6	Air outlet
7	Drain connection pipe (accessory)
8	Power supply inlet
9	PQ line inlet
10	Fresh air inlet



Model	ABH071H5ERG	ABH105H5ERG	ABH125K5ERG
A (mm)	248		288

Haier Brand Story

Who is Haier? World's largest home appliance manufacturer



Haier is the number one brand globally in major appliances in 2021*



Founded in 1984, 2022 marks our 38th year



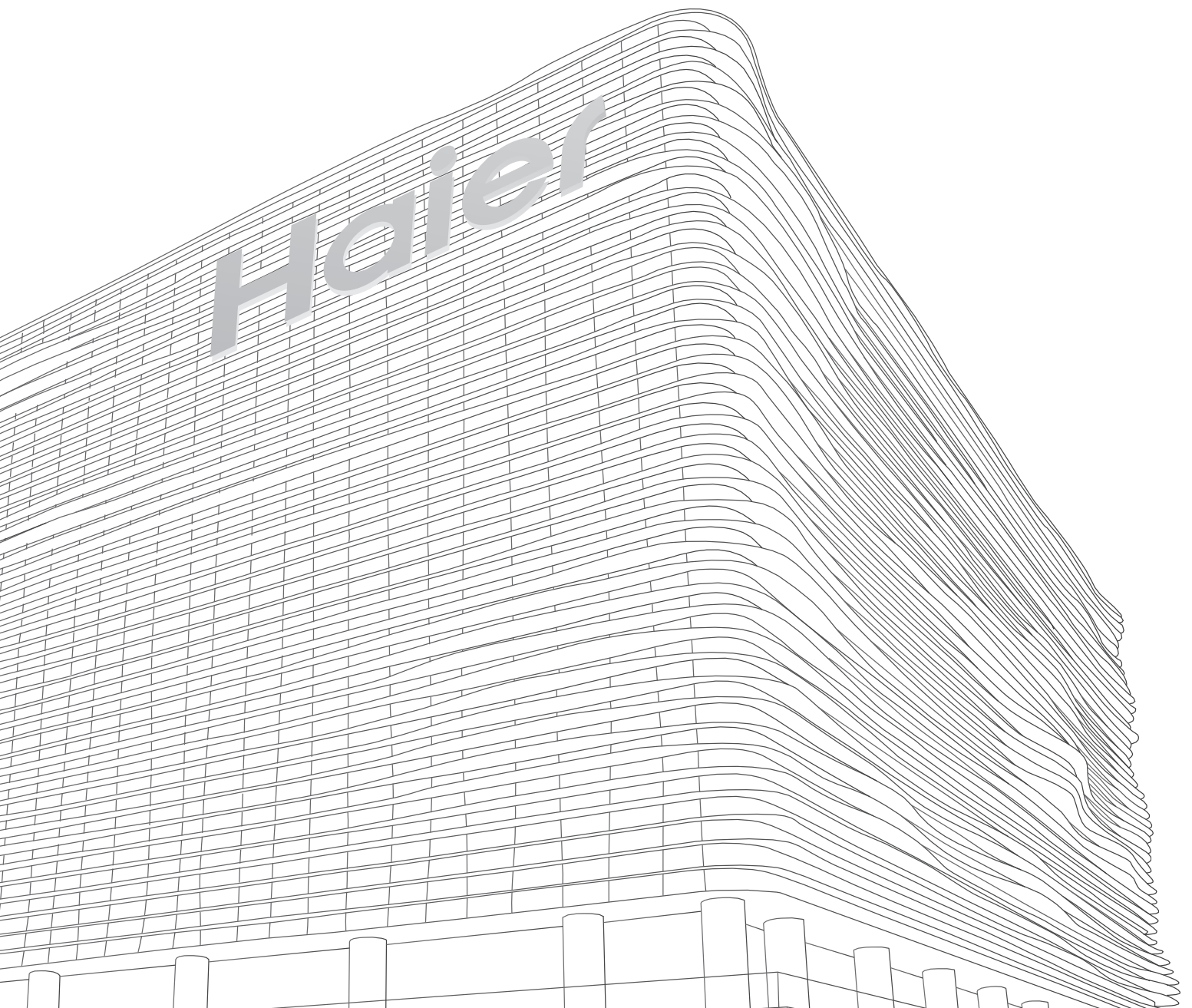
GE APPLIANCES

Parent company of GE Appliances



Distributed by Fisher & Paykel, a wholly owned Haier subsidiary

*Source Euromonitor International Limited; Consumer Appliances 2022ed, % unit share, 2021 volume sales data. Major Appliances category is the sum of dishwashers, home laundry appliances, large cooking appliances, microwaves and refrigeration appliances.



The evolution of Haier Air Conditioning



1985

- Qingdao Qingkong Air Conditioner Factory formed
- China's **first Split System AC**

1993

- Qingdao Qingkong AC Factory **merged** with Haier Group
- China's **first Inverter AC**

1994

- Haier gains **ISO9001 Certificate**
- Haier acquires **first export** business to Italy

1998

- China's **first DC Inverter AC**

2000-2003

- Energy Star Certification from **EPA**
- Commenced exporting to **Japan**
- DC Inverter with R410A technology

2010

- Introduced **intelligent AC**

2011-2012

- Improved air quality features including models with formaldehyde elimination and PM2.5 elimination

2013-2014

- Launched **Wi-Fi AC** in China, Italy & South Asia
- Maintaining 15% market share in America for WAC and top 5 ranking in Italy

2015-2016

- Built the world's most advanced intelligent factory
- Launched full range of evaporator self-cleaning air conditioners in the industry
- Haier Vietnam air conditioner factory started manufacturing

2017-2018

- Launched easy installation products – Flexis Series
- Haier India air conditioner factory started manufacturing

*Source Euromonitor International Limited; Consumer Appliances 2022ed, % unit share, 2021 volume sales data. Major Appliances category is the sum of dishwashers, home laundry appliances, large cooking appliances, microwaves and refrigeration appliances.



Customer Care

The fastest growing localised AC service team in the country

Visit the website for technical data

haier.com.au/air-conditioning

24/7 customer support and service booking

1300 729 948

Haier

Important notice of Disclosure: Copyright © Fisher & Paykel Appliances 2021. All rights reserved. The product dimensions and specifications in this brochure apply to the specific products and models described at the date of issue. Under our policy of continuous product improvement, these dimensions and specifications may change at any time. You should therefore check with your dealer or Haier's Customer Care Centre to ensure this flyer correctly describes the products currently available.

Fisher & Paykel Australia Pty Ltd, Level 1, 1 Eden Park Drive,
Macquarie Park, NSW 2113. Phone Customer Care: 1300 729 948
Email: customer.care@haier.com.au

Version 2022/01