

The Haier logo is displayed in white text on a dark grey rectangular background in the top right corner of the page.

Haier

# Microwave Oven

---

HMO60S11EB1



## CONTENTS

---

Safety and warnings .....	4
Prior to installation .....	9
After installation .....	9
Components required .....	10
Product dimensions .....	11
Cabinetry dimensions .....	12
Electrical considerations .....	13
Check cavity .....	14
Unpack product .....	15
Remove shelves and accessories .....	16
Fit and secure oven into cavity .....	17
Fit turntable and racks .....	18
Installer checklist .....	19

## SAFETY AND WARNINGS

### ⚠ WARNING!



#### Electrical Shock Hazard

Before carrying out any work on the electrical section of the appliance, it must be disconnected from the mains electricity supply.

Connection to a good ground wiring system must only be made by a qualified electrician.

Failure to follow this advice may result in electrical shock or death.

### ⚠ WARNING!



#### Fire Hazard

Do not use adapters, reducers or branching devices to connect this appliance to the mains power supply. Failure to follow this advice may result in overheating, burning or fire.

### ⚠ WARNING!



#### Cut Hazard

Take care - some edges are sharp.

Failure to use caution could result in injury or cuts.

### ⚠ WARNING!



#### Electric Shock Hazard

Turn the oven off at the wall before replacing the oven lamp.

- Failure to follow this advice may result in electrical shock or death.

# SAFETY AND WARNINGS

---

## READ AND SAVE THIS GUIDE

### IMPORTANT SAFETY INSTRUCTIONS!

To reduce the risk of fire, electrical shock, injury to persons or damage when using the oven, follow the important safety instructions listed below. Read all the instructions before using the oven. Use the oven only for its intended purpose as described in these instructions.

#### General

- Be sure your appliance is properly installed and earthed by a qualified technician.
- Isolating switch: make sure this oven is connected to a circuit which incorporates an isolating switch providing full disconnection from the power supply.
- The installation furniture and the adjacent ones must withstand temperatures of 90°C.
- Household appliances are not intended to be played with by children.
- Do not leave children alone. Children should not be left alone or unattended in the area where the appliance is in use. They should never be allowed to sit or stand on any part of the appliance.
- Only use utensils that are suitable for use in microwave ovens.
- When heating food in plastic or paper containers, keep an eye on the oven due to the possibility of ignition.
- Children of less than 8 years old must be kept away from the appliance unless continuously supervised.
- This appliance can be used by children aged from 8 years and above, and persons with reduced physical, sensory or mental capabilities or lack of experience and knowledge, if they have been given supervision or instruction concerning the use of the appliance in a safe way and they understand the hazards involved.
- The contents of feeding bottles and baby food jars shall be stirred or shaken and the temperature checked before consumption, in order to avoid burns.
- Do not store things children might want above the oven. Children could be burned or injured while climbing on the oven to retrieve items.
- Cleaning and user maintenance shall not be done by children without supervision.
- Always position shelves in the desired location while the oven is cool (before preheating). If a shelf must be removed while the oven is hot, do not let the oven mitts or potholder contact hot heating elements in the oven or the base of the oven.
- Do not place heavy objects on the oven door.
- Do not heat unopened food containers. They can build up pressure that may cause the container to burst and result in injury.
- Do not operate microwave oven while empty.
- The cooking chamber must only be cooled with the door closed. Check that nothing is stuck on the door of the appliance. Even if the door is only ajar, nearby cabinets can be damaged over time.
- Do not rest or lean on the open door of the appliance and do not put dishware or accessories on it.
- This appliance is intended to be used in household and similar applications such as:
  - staff kitchen areas in shops, offices and other working environments;
  - farm houses;
  - by clients in hotels, motels and other residential environments;
  - bed and breakfast type environments.
- Always keep oven vents unobstructed.
- Do not use the oven if the door or the seals of the door are damaged. The oven may not be used until it is repaired by a qualified service technician.
- Do not operate your appliance by means of an external timer or separate remote control system.
- CAUTION: Hot air can blow from the vent at the base of the oven as part of the oven's cooling system.

## SAFETY AND WARNINGS

---

### Food and liquids

- Leave food in the oven for as short a time as possible before and after cooking. This is to avoid contamination by organisms which may cause food poisoning. Take particular care during warm weather.
- Eggs in their shells and whole hard-boiled eggs should not be heated in microwave ovens since they may explode, even after microwave heating has ended.
- Liquids, such as water, coffee or tea are able to be overheated beyond the boiling point without appearing to be boiling. Visible bubbling or boiling when the container is removed from the microwave oven is not always present. **THIS COULD RESULT IN VERY HOT LIQUIDS SUDDENLY BOILING OVER WHEN A SPOON OR OTHER UTENSIL IS INSERTED INTO THE LIQUID.**
- To avoid delayed boiling when heating liquids, always put a spoon in the container.
- **WARNING!** Beverages containing spoons should be placed in the centre of the glass turntable. Metal components must stay at least 2 cm from the walls of the oven and the inside of the door. Sparks could damage the inside of the glass door.
- **WARNING:** Liquids and other foods must not be heated in sealed containers since they are liable to explode.

### To reduce the risk of injury to persons:

- Do not overheat the liquid.
- Stir the liquid both before and halfway through heating it.
- Do not use straight-sided containers with narrow necks. Use a wide-mouthed container.
- After heating, allow the container to stand in the microwave oven for at least 20 seconds before removing the container.
- Use extreme care when inserting a spoon or other utensil into the container.

### Dishware

- Use only dishware approved for oven use. Follow the dishware manufacturer's instructions.
- Metallic containers for food and beverages are not allowed during microwave cooking. This requirement is not applicable if the manufacturer specifies size and shape of metallic containers suitable for microwave cooking.
- Never use enamelled baking dishes in the microwave because it could cause a technical breakdown.
- The flat grill must be removed when using the microwave and combined modes. Use it only with traditional oven functions.
- Testing dishware: never turn on the microwave oven before you have put in the food. The only exception allowed is testing dishware.
- Pots and pans: use plates and crockery that are microwave safe.
- Packaging: never heat food covered in tin foil.

## SAFETY AND WARNINGS

---

### Fire

- The microwave oven is intended for heating food and beverages. Drying of food or clothing and heating of warming pads, slippers, sponges, damp cloth and similar may lead to risk of injury, ignition or fire.
- To reduce the risk of fire in the microwave oven cavity:
  - Do not overcook food. Carefully attend appliance when paper, plastic or other combustible materials are placed inside the microwave oven to facilitate cooking.
  - Remove wire twist-ties from paper or plastic bags before placing bag in microwave oven.
  - If materials inside the microwave oven should ignite, keep microwave oven door closed, turn microwave oven off and disconnect the power cord or shut off power at the fuse or circuit breaker panel.
  - Do not use the cavity for storage purposes. Do not leave paper products, cooking utensils or food in the cavity when not in use.
- If smoke is observed, switch off or unplug the appliance and keep the door closed in order to stifle any flames.
- Do not use water on grease fires. Smother the fire or flame or use a dry chemical or foam type extinguisher.
- Use only dry oven mitts or potholders. Moist or damp potholders on hot surfaces could result in burns from steam. Do not let potholders touch hot areas or heating elements. Do not use a towel or a bulky cloth for a potholder. It could catch fire.
- Wear proper apparel. Do not wear loose fitting or hanging garments when using the appliance. They could ignite or melt if they touch an element or hot surface and you could be burned.

### Cooking

- Arrange food carefully. Place thickest areas towards outside of dish.
- Watch cooking time. Cook for the shortest amount of time indicated and add more as needed. Food severely overcooked can smoke or ignite.
- Cover foods while cooking. Check recipe or cookbook for suggestions: paper towels, wax paper, microwave plastic wrap or a lid. Covers prevent spattering and help foods to cook evenly.
- Shield with small flat pieces of aluminium foil any thin areas of meat or poultry to prevent overcooking before dense, thick areas are cooked thoroughly.
- Stir foods from outside to centre of dish once or twice during cooking, if possible.
- Turn foods over once during microwaving to speed cooking of foods such as chicken and hamburgers. Large items like roasts must be turned over at least once.
- Rearrange foods such as meatballs halfway through cooking both from top to bottom and from the centre of the dish to the outside.
- Add standing time. Remove food from microwave oven and stir, if possible.
- Cover for standing time which allows the food to finish cooking without overcooking.
- Check for doneness. Look for signs indicating that cooking temperatures have been reached.
- Doneness signs include:
  - Food steams throughout, not just at edge.
  - Centre bottom of dish is very hot to the touch.
  - Poultry thigh joints move easily.
  - Meat and poultry show no pinkness.
  - Fish is opaque and flakes easily with a fork

## SAFETY AND WARNINGS

---

### Maintenance

- Do not repair or replace any part of the appliance unless specifically recommended in the manual. All other servicing should be referred to a qualified technician.
- Do not install or operate the appliance if it is damaged or not working properly. If you receive a damaged product, contact your dealer or installer immediately.
- **WARNING:** If the door or door seals are damaged, the oven must not be operated until it has been repaired by a competent person.
- **WARNING:** It is hazardous for anyone other than a competent person to carry out any service or repair operation that involves the removal of a cover which gives protection against exposure to microwave energy.
- If the microwave oven is installed as a built-in, observe the following instructions:
  - Do not mount over a sink.
  - Do not store anything directly on top of the appliance surface when the appliance is in operation.
- If the microwave oven light fails, consult a Haier authorised servicer.

### Cleaning

- The oven must be cleaned regularly and all food residues must be removed.
- Failure to keep the oven clean could cause deterioration of the surfaces that could reduce the life of the appliance and cause dangerous conditions. Do not clean the oven seal or use any oven-cleaning products on it. It is essential for a good seal, which ensures that the oven operates efficiently. Care should be taken not to rub, damage or move it.
- Do not use oven cleaners, harsh/abrasive cleaning agents, waxes, or polishes. No commercial oven cleaner, oven liner, or protective coating of any kind should be used in or around any part of the oven.
- Do not use harsh/abrasive cleaners, scourers or sharp metal scrapers to clean the oven door glass since they scratch the surface, which may result in the glass shattering.
- Do not use steam cleaners to clean the appliance.
- In addition, avoid using acid or alkaline substances (such as lemon, vinegar, salt, tomatoes, etc.). Avoid using products containing chlorine, acids or abrasives, especially for cleaning painted parts.
- Clean only the parts listed in this manual.



## PRIOR TO INSTALLATION

---

Ensure that:

- The material of the unit supporting the appliance is heat resistant or covered with a heat resistant material.
- The cavity ventilation has been set up correctly.
- The countertop and oven cavity are square and level, and are the required dimensions.
- The installation will comply with all clearance requirements and applicable standards and regulations.
- The isolating switch will be easily accessible to the customer with the oven installed.
- The cable may enter the cavity from the side, top or bottom, but top entry must be at the rear of the cavity.
- The oven connection socket (if fitted) is outside the cavity if the oven is flush to the rear wall.
- The oven will rest on a surface that can support its weight.
- The height from the floor suits the customer.
- You consult local building authorities and by-laws if in doubt regarding installation.

**Some environmental factors and cooking habits can cause condensation in and around the oven during use. To protect surrounding cabinetry from possible damage caused by frequent or excessive condensation, we recommend moisture-proofing the oven cavity.**

## AFTER INSTALLATION

---

**The manufacturer does not accept any responsibility for damage resulting from incorrect installation.**

- The oven door can open fully without obstruction.
- The power supply cable does not touch any hot metal parts.
- The isolating switch is easily accessible to the customer with the oven installed.
- You complete the 'Final checklist' at the end of the installation.
- If, after following the instructions given, correct performance cannot be achieved, please contact your nearest Authorised Service Center, Customer Service, or contact us through our local website listed at the end of this document.

## COMPONENTS REQUIRED

---

..... TOOLS .....

### Not supplied

- Box cutter
- Phillips screwdriver

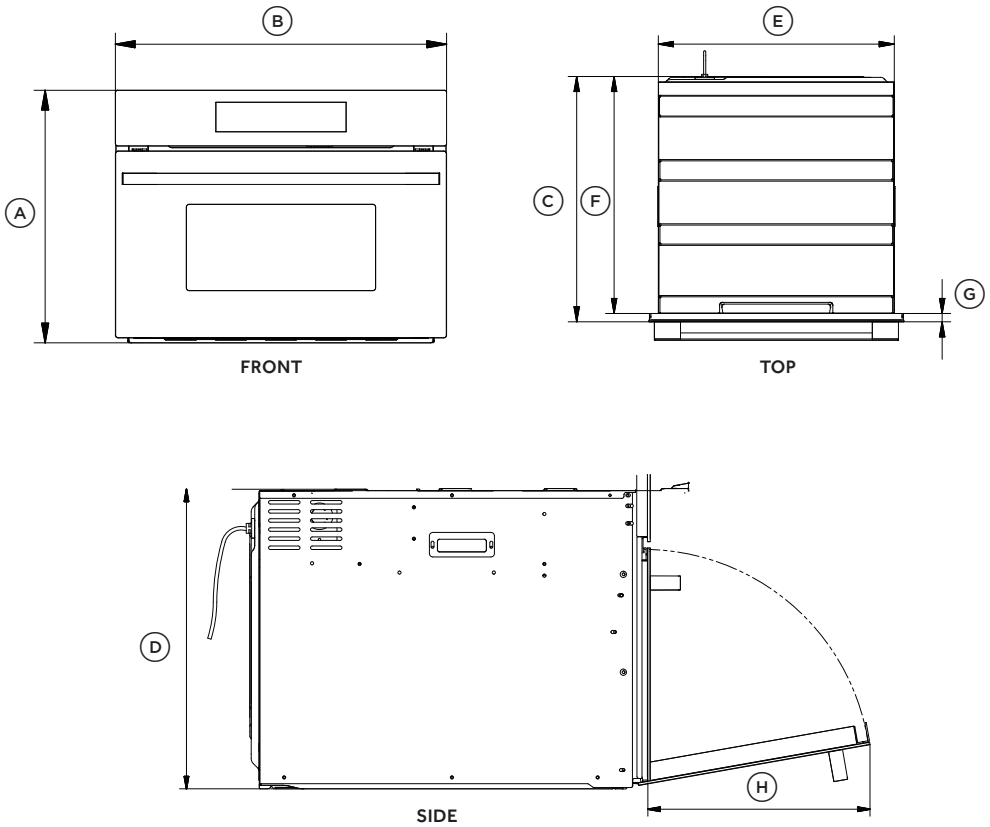
..... PARTS .....

### Supplied and required

- 4x M4.2x25 screws

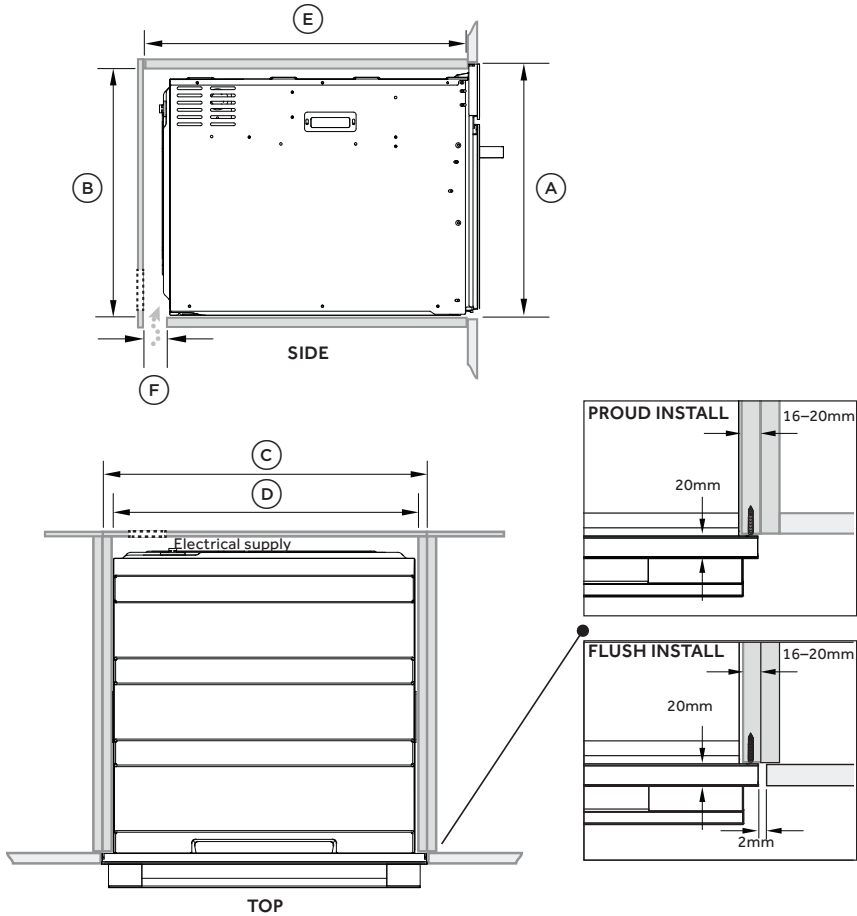
\*Not required for single product installation.

## PRODUCT DIMENSIONS



	mm
A Overall height	455
B Overall width	595
C Overall depth	572
D Height of chassis	429
E Width of chassis	555
F Depth of chassis	552
G Depth of oven frame and control panel (distance between front of chassis and front of oven door)	20
H Depth of oven door when fully open (measured from front of control panel)	334

# CABINETRY DIMENSIONS



		mm
A	Overall height of cabinetry	460
B	Minimum inside height of cavity	450
C	Overall width of cabinetry	600
D	Minimum inside width of cabinetry	560
E	Minimum inside depth of cabinetry	580
F	Ventilation air vent	40

Note: If installing a cooktop above the oven, ensure adequate clearance is provided for the cooktop as per the cooktop manufacturer's instructions.

If installing the oven under a worktop, ensure the top rail has been removed to provide airflow around the product.

## ELECTRICAL CONSIDERATIONS

**WARNING! All electrical work must be carried out by a suitably qualified and authorised electrician. No alterations or wilful changes in the electricity supply should be carried out.**

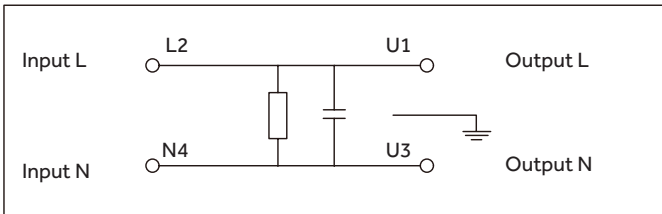
- The mains lead should be a minimum of 1.5 metres long.
- Do not use an extension cord to connect your oven to the mains electricity supply. This appliance must be earthed.
- If you are unsure of how to install the oven, use an authorised agent to install the appliance to the electricity source.
- Before setting up your oven, check for any external visible damage. Do not install your oven if it is damaged.
- This appliance must be installed on a flat surface.
- Do not install the oven in an area that may be damp.

### Electrical requirements


- Rated voltage: AC220-240V
- Rated frequency: 50Hz
- Nominal power: 2850W
- Microwave output: 900W
- Microwave frequency: 2450MHz

### Wiring connection

This appliance is supplied with a 3-core mains cable. The wires are in accordance with the following code:

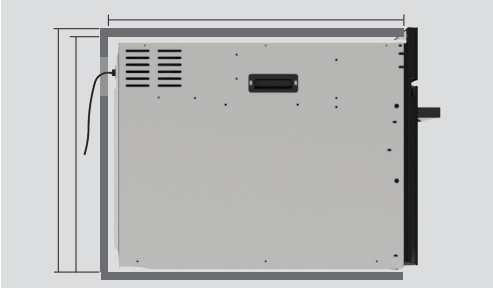


The wires in the mains lead are coloured in accordance with the following code:

- L = LIVE coloured brown.
- N = NEUTRAL coloured blue.
- Beware of the correct N-connection!
-  EARTH coloured green and yellow.

## CHECK CAVITY

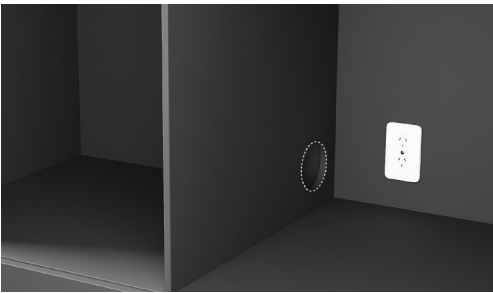
---



**1. Measure cavity dimensions.**  
Ensure all minimum specifications have been met.



**2. For dark cabinetry, ensure clashing has been considered and installed.**



**3. Ensure service access complies with local requirements.**



**4. Ensure cavity ventilation has been set up correctly.**

## UNPACK PRODUCT

---

- Do not lift or move the product using the door handle.
- Keep all packing materials until the unit has been inspected.
- Inspect the product to ensure there is no shipping damage. If any damage is detected contact the dealer or retailer you brought the product from to report the damage.
- Haier is not responsible for shipping damage.



1. Remove the carton sleeve and any transit packaging.



2. Set aside any accessories.

## REMOVE SHELVES AND ACCESSORIES

---



1. Open the door and remove all packaging holding the racks, side racks and airfry tray in place.

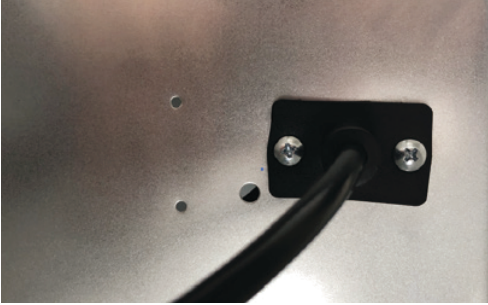


2. Grip the racks at the front. Lift upwards and pull out from the microwave.



## FIT AND SECURE OVEN INTO CAVITY

---



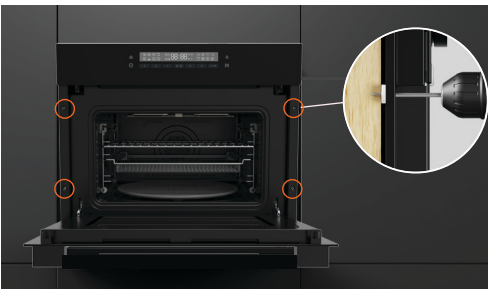
1. Connect the cable to the microwave.



2. Lift product into cavity.



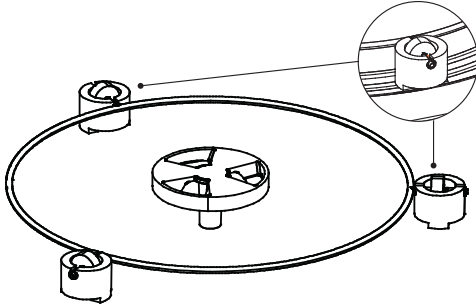
3. Centre the oven in the cavity ensuring there is at least 10mm between the oven and surrounding cabinetry.



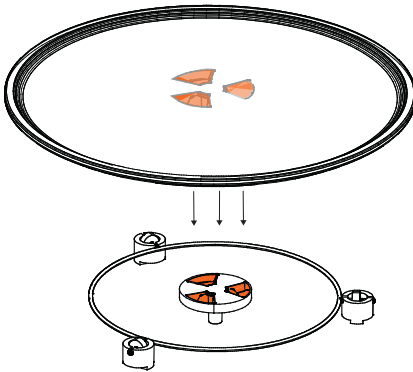
4. Secure oven to cavity using the 4 screws provided.

## FIT TURNTABLE AND RACKS

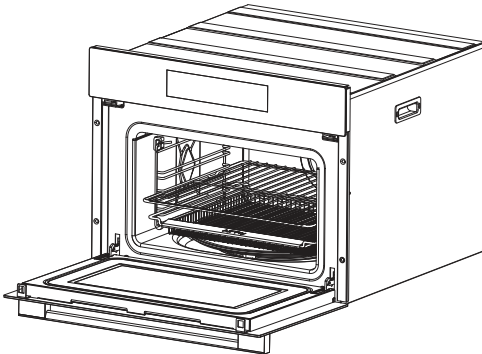
---



1. Position the turntable wheel guides correctly on the mechanism so that the rollers are at the top.



2. Place the glass turntable plate correctly onto the wheel guides.



3. Refit side racks, main racks and air fry tray.

# INSTALLER CHECKLIST

---

## To be completed by the installer

- Check all parts are installed correctly and are secure.
- Ensure all packaging, tape and rubberbands have been removed.
- Ensure all clearance gaps have been maintained.
- Ensure all electrical tests have been conducted in accordance with local regulations.

## Complete and keep for safe reference:

Model \_\_\_\_\_

Serial no. \_\_\_\_\_

Purchase date \_\_\_\_\_

Purchaser \_\_\_\_\_

Dealer address \_\_\_\_\_

Installer's name \_\_\_\_\_

Installer's signature \_\_\_\_\_

Installation company \_\_\_\_\_

Installation date \_\_\_\_\_

# Haier

---

WWW.HAIER.COM.AU  
WWW.HAIER.CO.NZ

条形码尺寸40\*8mm, 由厂家生成。

432404B | 9415112619032 | 08.24