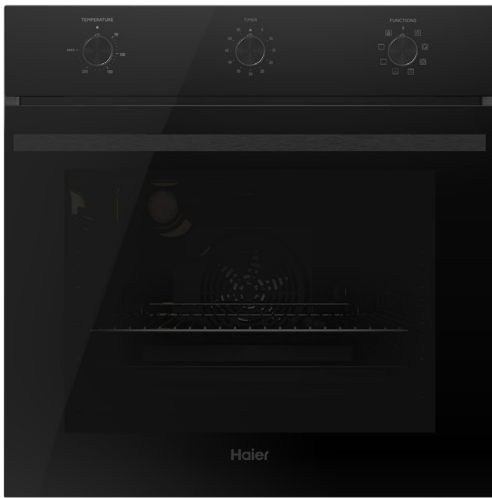


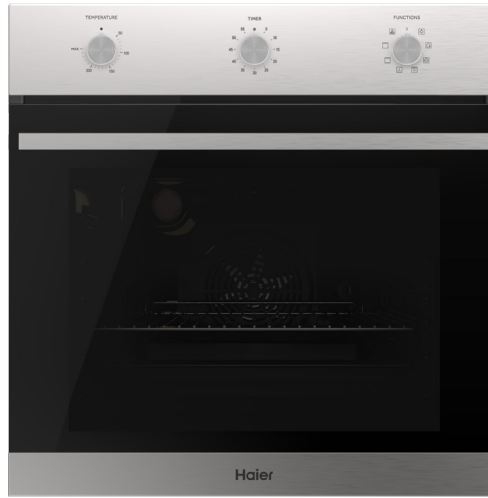
HWO60S7MB5, HWO60S7MX5

Oven, 60cm

7 Function



HWO60S7MB5



HWO60S7MX5

Height

595mm

Width

595mm

Depth

571mm

Weight (Packaged)

34kg

Weight (Product)

32kg

FEATURES

- Striking black glass or contrasting stainless steel and black glass design to suit a range of kitchen styles
- 7 functions including Pastry and Pizza Plus
- Ease of installation with a 10Amp plug and play
- 70L gross 65L useable capacity
- Even convection heating on every shelf

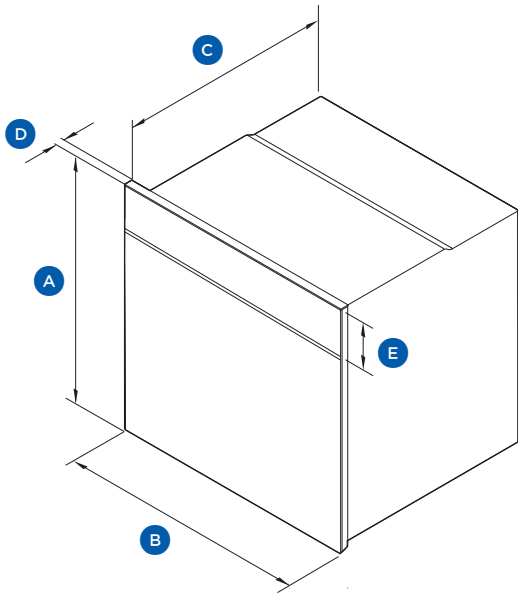
ACCESSORIES

- 2x wire racks
- Baking tray

The models shown in this Specification Guide (SG) may not be available in all markets and are subject to change at any time. Product specifications may vary from those shown. This SG should not be used as installation guidance for any product. Further information is required to safely and correctly install the products featured here. Specific installation guidance will be available with the product on delivery and on our website haier.com

Product overview

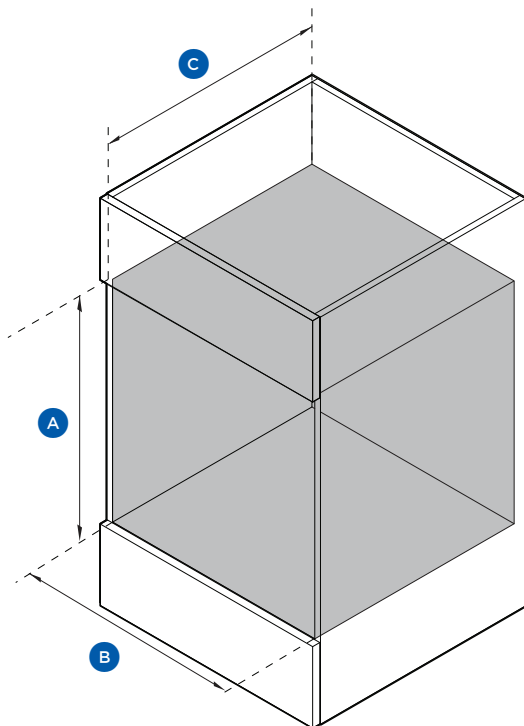
PRODUCT DIMENSIONS



		mm
A	Overall height	595
B	Overall width	595
C	Chassis depth	549
D	Depth of control panel	22
E	Control panel height	110

The illustration is indicative only

CAVITY DIMENSIONS



		mm
A	Minimum inside height of cavity	600
B	Minimum inside width of cavity	560
C	Minimum inside depth of cavity	570

SERVICES

- Supply 220-240 V, 50 Hz
- Service 10 A
- Connection Flex cord with plug

The models shown in this Specification Guide (SG) may not be available in all markets and are subject to change at any time. Product specifications may vary from those shown. This SG should not be used as installation guidance for any product. Further information is required to safely and correctly install the products featured here. Specific installation guidance will be available with the product on delivery and on our website haier.com