

The Haier logo is displayed in white text on a dark grey rectangular background in the top right corner of the page.

Haier

# 7 Function Convection Oven

---

HWO60S7MB5, HWO60S7MX5



## CONTENTS

---

Safety and warnings .....	5
First use .....	9
Cooking functions .....	11
Care and cleaning .....	12
Cleaning the oven door .....	14
Manufacturer's Warranty .....	15
Customer service .....	17





**⚠ WARNING!**



**Electric Shock Hazard**

Turn the oven off at the wall before replacing the oven lamp or before carrying out any work or maintenance on it.

Failure to follow this advice may result in electrical shock or death.

**⚠ WARNING!**



**Fire Hazard**

Failure to follow this advice may result in serious burns or death.

Do not place aluminium foil, dishes, trays, water or ice on the oven floor during cooking, as doing so will irreversibly damage the enamel; lining the oven with aluminium foil or single use protection available from stores may cause fire.

Never use your appliance for warming or heating the room. Persons could be burned or injured or a fire could start.

Storage in or on appliance: flammable materials should not be stored in an oven or near its surface.

Failure to follow this advice may result in overheating, burning, and injury.

**⚠ WARNING!**



**Cut Hazard**

Take care during installation of the oven - some edges are sharp.

Failure to use caution could result in injury or cuts.

**⚠ WARNING!**

**Hot Surface Hazard**

Accessible parts may become hot when in use. To avoid burns and scalds, be careful not to touch any hot part and keep children away.

Use oven mitts or other protection when handling hot surfaces such as oven shelves or dishes.

Use care when opening the oven door. Let hot air or steam escape before removing or replacing food.

Do not touch heating elements or interior surfaces of the oven. Heating elements may be hot even though they are dark in colour.

Interior surfaces of an oven become hot enough to cause burns.

During and after use, do not touch, or let clothing or other flammable materials contact heating elements or interior surfaces of the oven until they have had sufficient time to cool. Other surfaces of the appliance may become hot enough to cause burns - among these surfaces are the oven vent, the surface near the oven vent, and the oven door.

Failure to follow this advice could result in burns and scalds.



## SAFETY AND WARNINGS

---

### IMPORTANT SAFETY INSTRUCTIONS

To reduce the risk of fire, electrical shock, injury to persons or damage when using the oven, follow the important safety instructions listed below:

- Read all the instructions before using the oven. Use the oven only for its intended purpose as described in these instructions.
- **Proper installation:** be sure your appliance is properly installed and earthed by a qualified technician.
- **Isolating switch:** make sure this oven is connected to a circuit which incorporates an isolating switch providing full disconnection from the power supply in accordance with the wiring rules.
- The yellow-green earth cable should not be interrupted by the device and must be easily accessible when the appliance is installed.
- Household appliances are not intended to be played with by children.
- **IF THE OVEN IS PROVIDED BY THE MANUFACTURER WITHOUT THE PLUG, THE APPLIANCE MUST NOT BE CONNECTED TO THE POWER SOURCE USING PLUG OR SOCKETS, BUT MUST BE DIRECTLY CONNECTED TO THE SUPPLY MAINS.**
- Children should not be left alone or unattended in the area where the appliance is in use. They should never be allowed to sit or stand on any part of the appliance.
- Children of less than 8 years old must be kept away from the appliance unless continuously supervised. This appliance can be used by children aged from 8 years and above, and persons with reduced physical, sensory or mental capabilities or lack of experience and knowledge, if they have been given supervision or instruction concerning the use of the appliance in a safe way and they understand the hazards involved.
- Cleaning and user maintenance shall not be done by children without supervision.
- Do not place heavy objects on the oven door.
- Wear proper apparel. Do not wear loose fitting or hanging garments when using the appliance. They could ignite or melt if they touch an element or hot surface and you could be burned.
- **User servicing:** do not repair or replace any part of the appliance unless specifically recommended in the manual. All other servicing should be referred to a qualified technician.
- Do not use water on grease fires. Smother the fire or flame or use a dry chemical or foam type extinguisher.
- Use only dry oven mitts or potholders. Moist or damp potholders on hot surfaces could result in burns from steam. Do not let potholders touch hot areas or heating elements. Do not use a towel or a bulky cloth for a potholder as it could catch fire.
- Do not heat unopened food containers. They can build up pressure that may cause the container to burst and result in injury.
- **Safe food handling:** leave food in the oven for as short a time as possible before and after cooking. This is to avoid contamination by organisms which may cause food poisoning. Take particular care during warm weather.
- Always keep oven vents unobstructed.
- Do not operate your appliance by means of an external timer or separate remote-control system.
- **Caution:** Hot air can blow from the vent at the top of the oven as part of the oven's cooling system.
- **Placement of oven shelves:** always position shelves in the desired location while the oven is cool (before preheating). If a shelf must be removed while the oven is hot, do not let the oven mitts or potholder contact hot heating elements in the oven or the base of the oven.
- When you place the shelf inside, make sure that the stop is directed upwards and in the back of the cavity. The shelf must be inserted completely into the cavity.
- Do not clean the oven seal or use any oven-cleaning products on it. It is essential for a good seal, which ensures that the oven operates efficiently. Care should be taken not to rub, damage or move it.
- Do not use oven cleaners, harsh/abrasive cleaning agents, waxes, or polishes. No commercial oven cleaner, oven liner, or protective coating of any kind should be used in or around any part of the oven.
- Do not use harsh/abrasive cleaners, scourers or sharp metal scrapers to clean the oven door glass since they scratch the surface, which may result in the glass shattering.

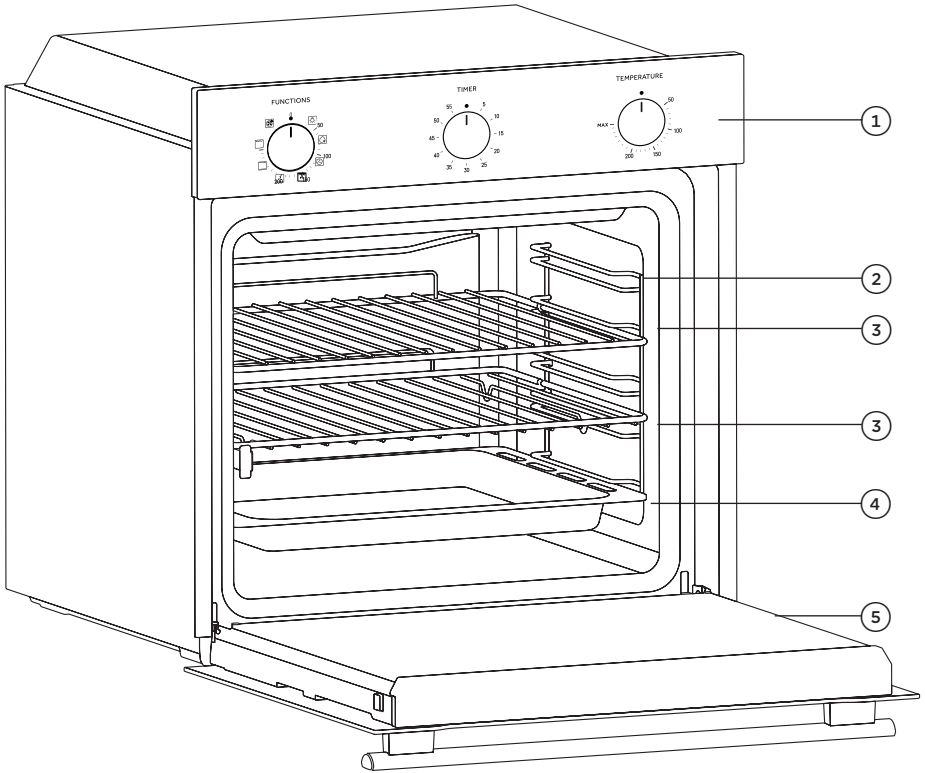


## SAFETY AND WARNINGS

---

- Clean only the parts listed in this manual.
- Do not use a steam cleaner to clean any part of the oven.
- Do not store things children might want above the oven. Children could be burned or injured while climbing on the oven to retrieve items.
- Do not install or operate the appliance if it is damaged or not working properly. If you receive a damaged product, contact your dealer or installer immediately.
- Use only bakeware approved for oven use. Follow the bakeware manufacturer's instructions.
- No additional operation/setting is required in order to operate the appliance at the rated frequencies.
- If the power cable is damaged, it should be substituted with a cable or special bundle available from the manufacturer or by contacting the customer service department. The type of power cable must be H05V2V2-F. This operation should be carried out by a suitably qualified professional. The earth conductor (yellowgreen) must be approximately 10 mm longer than the other conductors. For any repairs, refer only to the Customer Care Department and request the use of original spare parts. Failure to comply with the above can compromise the safety of the appliance and invalidate the guarantee.
- The oven must be switched off before removing the removable parts. After cleaning, reassemble them according to the instructions.
- **WARNING:** Never remove the oven door seal.
- When inserting the grid tray pay attention that the anti-slide edge is positioned rearwards and upwards
- The appliance must not be installed behind a decorative door in order to avoid overheating.
- The oven can be located high in a column or under a worktop. Before fixing, you must ensure good ventilation in the oven space to allow proper circulation of the fresh air required for cooling and protecting the internal parts. Make the openings specified on last page according to the type of fitting. Always fix the oven to the furniture with the screws provided with the appliance.

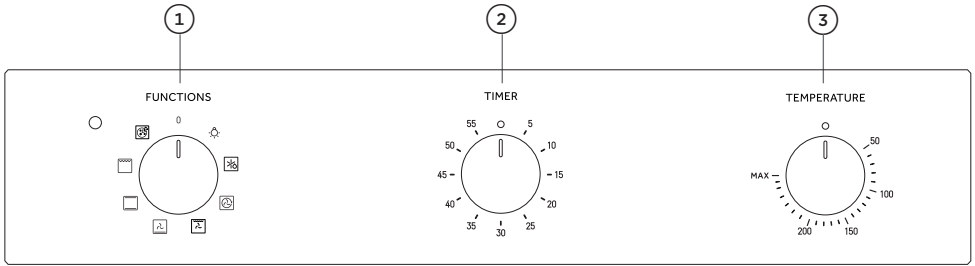
# FIRST USE



## FEATURES AND ACCESSORIES

1	Oven controls	4	Roasting dish
2	Side racks	5	Oven door
3	Wire shelves		

# FIRST USE



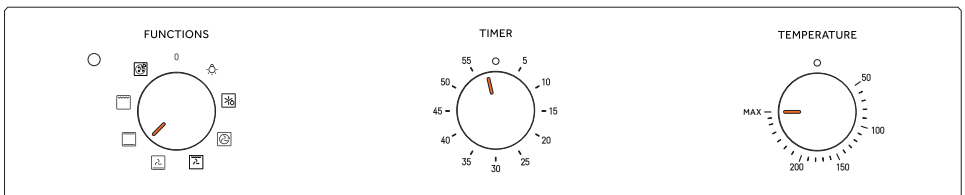
## CONTROL PANEL

- |   |                      |
|---|----------------------|
| 1 | Function selector    |
| 2 | Timer                |
| 3 | Temperature selector |









## Preparing your oven

Before using your oven for the first time, remove and wash all accessories, and clean the inside of the oven with a damp, soft cloth and mild detergent. Wipe the outside with a damp, soft cloth. Dry with a clean cloth.

Run the empty oven at maximum temperature for 60 minutes to remove the newness smell. The oven may smoke slightly during this process. This is normal.



## COOKING FUNCTIONS

FUNCTION	DESCRIPTION
 <p>LIGHT</p>	<p>Turns on the oven light.</p>
 <p>DEFROST</p>	<p>Fan circulates air at room temperature around the frozen food so that it defrosts.</p>
 <p>FAN FORCED</p>	<p>Uses the rear element in conjunction with the fan. Recommended for most applications, including poultry, pastries, fish and vegetables.</p>
 <p>FAN GRILL</p>	<p>The top heating element is used in conjunction with pulsing of the fan to keep food soft inside and crunchy outside.</p>
 <p>PASTRY</p>	<p>The bottom heating element is used with the fan circulating the air inside the oven. This method is ideal for fruit flans, tarts, quiches and pizza. It prevents the top of food from drying. Place the shelf in the bottom position.</p>
 <p>BAKE</p>	<p>Both top and bottom heating elements are used. Preheat the oven for about ten minutes. This method is ideal for all traditional roasting and baking such as searing red meats, roast beef, leg of lamb, game, bread, foil wrapped food, flaky pastry. Place the shelf in mid position.</p>
 <p>GRILL</p>	<p>The power level can be adjusted and the oven should be allowed to preheat for 5 minutes. White meats should be put at a distance from the grill to avoid the meat drying out. Place food on the wire shelf with the roasting dish underneath to catch any drips. Turn food 2/3 of the way through cooking if required. Use the grill function with door closed.</p>
 <p>PIZZA</p>	<p>Hot air circulates the oven to ensure perfect result for dishes such as pizza.</p>

## CARE AND CLEANING

---

The life of your product can be extended through regular cleaning. Wait for the oven to cool before carrying out manual cleaning operations. Never use abrasive detergents, steel wool or sharp objects for cleaning as these may damage enamelled parts. Use only water, soap, or bleach-based detergents (ammonia).

### Oven window seal

Clean the seals with a slightly damp sponge. Abrasive detergents should not be used for these parts.

### Accessories

Clean accessories with a wet, soapy sponge before rinsing and drying them. Abrasive detergents should not be used for these parts.

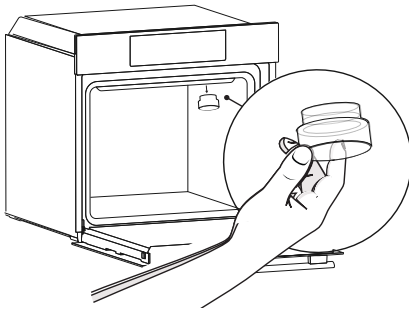
### Roasting dish

After using the grill, remove the pan from the oven. Pour the hot fat into a container and wash the pan in hot, soapy water. You can wash this pan in the dishwasher or using commercial oven detergent. Never put a dirty pan back into the oven. In addition to the dish supplied with the oven, we advise you only use dishes and baking moulds resistant to very high temperatures.

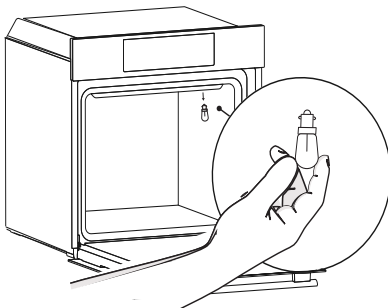
### Side racks

The wire racks can be cleaned in the dishwasher or using a wet sponge, ensuring that they are dried afterwards. Remove the wire racks by pulling them away from the oven walls.

### Changing the light bulb



1. To remove your light bulb, undo the glass cover, unscrew the bulb and replace it with a new bulb of the same type.

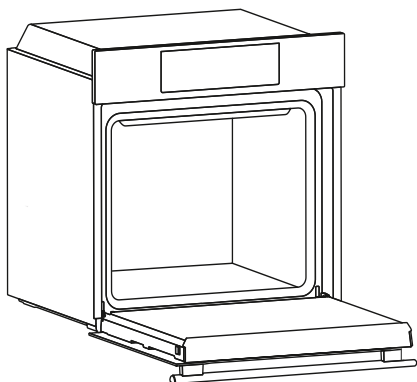


2. Once the bulb is replaced, ensure the glass cover is replaced. Ensure you disconnect the oven from the mains supply before you clean or change your light bulb.

## CLEANING THE OVEN DOOR

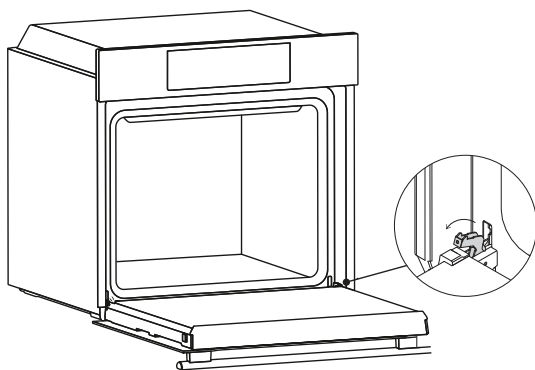
### Everyday cleaning

It is advisable to clean the glass window with an absorbent kitchen towel after every use of the oven. To remove more stubborn stains, you can use a detergent-soaked sponge, well wrung out, and then rinse with water.

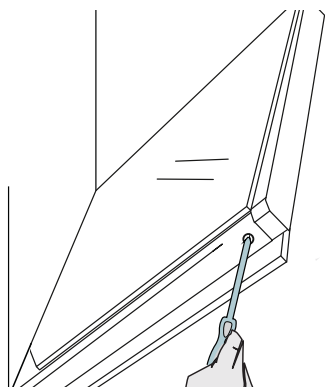


### Removal and cleaning of the door glass

1. Open the oven door fully.

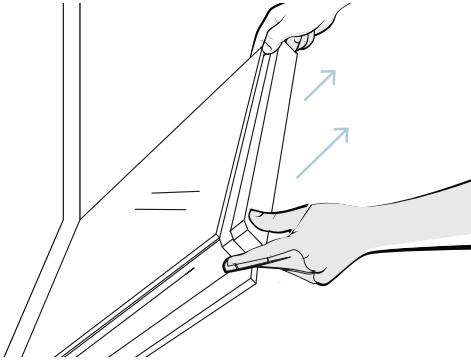


2. Rotate the hinge locks outwards. You may wish to use a screwdriver to grip the hinge.



3. Remove the screws at each side of the door.

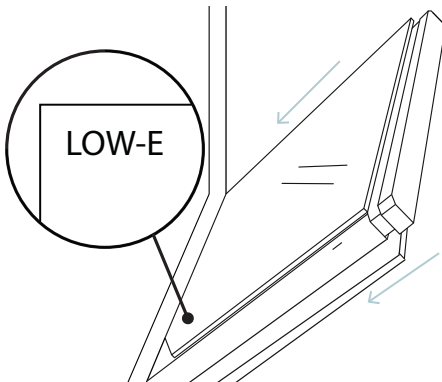
## CLEANING THE OVEN DOOR



4. Remove the upper metal cover by pulling it upwards.



5. Carefully remove the glass from the oven door. The number of glass panes may vary depending on your model. Wipe clean with a soft, damp cloth and mild detergent.



6. Once clean, carefully refit the glass and ensure the 'LOW-E' label is on the left side of the door, close to the hinge. The label will be inside the door.

## MANUFACTURER'S WARRANTY

---

Please read this warranty card carefully. Attach your purchase receipt to this warranty card and keep in a safe place. You must produce both warranty card and proof of purchase in the event of a warranty repair being required.

When you purchase any new Haier Product you automatically receive a two year Manufacturer's Warranty covering parts and labour for servicing.

### **The Manufacturer undertakes to:**

Repair or, at its option, replace without cost to the owner either for material or labour any part of the Product, the serial number of which appears on the Product, which is found to be defective within TWO YEARS from the date of purchase.

### **This warranty DOES NOT cover:**

- (A) Service calls which are not related to any defect in the Product. The cost of a service call will be charged if the problem is not found to be a Product related fault. For example:
  - ① Correct the installation of the product.
  - ② Provide Instruction on use of the product or change the setup of the product.
  - ③ Replace house fuses or correct house wiring.
  - ④ Correcting fault(s) caused by the user.
  - ⑤ Noise or vibration that is considered normal.
  - ⑥ Water on the floor due to incorrect loading or excessive suds.
  - ⑦ Blocked pumps, removal of foreign objects/substances from the machine, including the pump and inlet house filters.
  - ⑧ Correcting damage caused by pests, eg. rats, cockroaches etc.
  - ⑨ Correct corrosion or discolouration due to chemical attack.
  - ⑩ Power outages or surges.
- (B) Defects caused by factors other than:
  - ① Normal domestic use or
  - ② Use in accordance with the Product's User Guide.
- (C) Defects to the Product caused by accident, neglect, misuse or 'Act of God'.
- (D) The cost of repairs carried out by non-authorized repairers or the cost of correcting such unauthorised repairs.
- (E) Normal recommended maintenance as set out in the Product's User Guide.
- (F) Repairs when the appliance has been dismantled, repaired or serviced by other than an AUTHORISED CUSTOMER SERVICE CENTRE or the selling dealer.
- (G) Pick up and delivery.
- (H) Transportation or travelling costs involved in the repair when the product is installed outside the AUTHORISED CUSTOMER SERVICE CENTRE'S normal service area.

This product has been designed for use in a normal domestic environment. It is not intended for commercial use. Doing so may affect product warranty.

Service under this warranty must be provided by an Authorised Service Repairer (refer to the Customer Care section for contact details). Such service shall be provided during normal business hours. This warranty certificate should be shown when making any claim.



## MANUFACTURER'S WARRANTY

---

**Note:**

This Warranty is an extra benefit and does not affect your legal rights and applies only to product purchased in New Zealand and Australia. Please keep this Warranty Card in a safe place.

**For Australian customers:**

Our goods come with guarantees that cannot be excluded under the Australian Consumer Law. You are entitled to a replacement or refund for a major failure and for compensation for any other reasonably foreseeable loss or damage. You are also entitled to have the goods repaired or replaced if the goods fail to be of acceptable quality and the failure does not amount to a major failure.

## CUSTOMER SERVICE

---

If you have a problem with your appliance you can contact:

- Your local dealer.
- Service & Support

---

<b>From New Zealand</b>	Online	<a href="http://www.haier.co.nz">www.haier.co.nz</a>
	Toll free phone	0800 242 437
	Fax	(09) 273 0656
	Email	<a href="mailto:customer.care@haier.co.nz">customer.care@haier.co.nz</a>
	Postal address	P.O. Box 58732, Botany, Manukau 2163
<b>From Australia</b>	Online	<a href="http://www.haier.com.au">www.haier.com.au</a>
	Toll free phone	1300 729 948
	Fax	(07) 3826 9298
	Email	<a href="mailto:customer.care@haierlife.com.au">customer.care@haierlife.com.au</a>
	Postal address	P.O. Box 798, Cleveland QLD 4163

---

When calling or writing, please provide your name, address, the model number of your appliance, the serial number, the date of purchase and a description of the problem.

**Complete and keep for safe reference:**

Model \_\_\_\_\_

Serial No. \_\_\_\_\_

Purchase Date \_\_\_\_\_

Purchaser \_\_\_\_\_

Dealer \_\_\_\_\_

Suburb \_\_\_\_\_

Town \_\_\_\_\_

Country \_\_\_\_\_

# Haier

WWW.HAIER.COM.AU  
WWW.HAIER.CO.NZ

条形码尺寸40\*8mm,由厂家生成。

70071239 | 432397A | 11.24